

Artemide

Artemide Tizio Plus Floor  
Support only

LA8830

SOURCE: <https://www.davidvillagelighting.co.uk/product/Artemide-Tizio-Plus-Floor-Support-only/8977>



PRODUCT DESCRIPTION

Designer: Richard Sapper

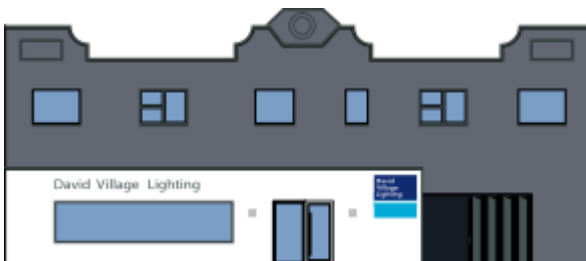
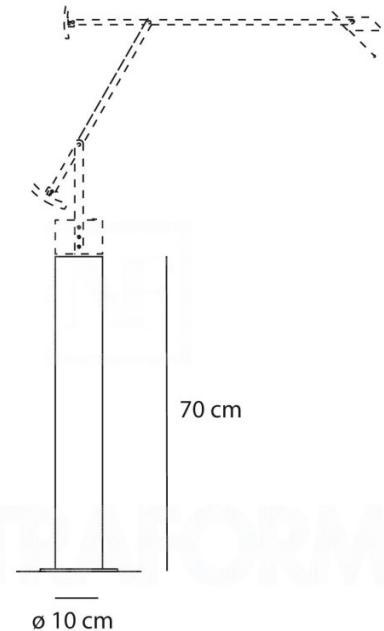
Artemide Tizio Floor Support

The Floor support (only) suitable for Tizio, Tizio Plus, and Tizio LED is designed to make your Tizio lamp even more functional, transforming the industrial task light into a table and floor lamp in one.

The [Tizio Collection](#) includes different-sized Tizios and Floor Supports.

PRODUCT SPECIFICATION

Dimensions: Ø11cm  
Height: 70cm



For all sales and technical enquiries, please contact:

+44 (0)114 263 4266

info@davidvillagelighting.co.uk

www.davidvillagelighting.co.uk