

louis poulsen

Louis Poulsen PH 80 Floor Lamp

LA8578

SOURCE: <https://www.davidvillagelighting.co.uk/product/Louis-Poulsen-PH-80-Floor-Lamp/5841>

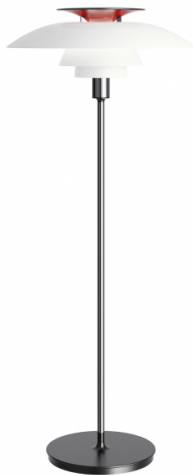
PRODUCT DESCRIPTION

Designer: Poul Henningsen

Louis Poulsen PH 80 Floor Lamp

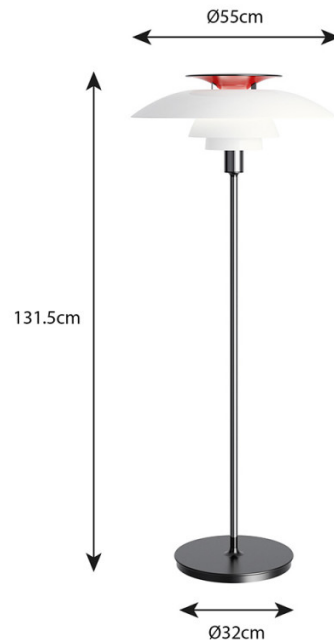
The PH 80 floor lamp was produced after Poul Henningsen's death to mark his 80th birthday, being a celebration and tribute to his iconic career. The shade is based on Henningsen's 3 shade system that he created in 1925-26, which creates an even and diffused glow, concealing the light source for a warm ambience.

The lampshade is made from white opal acrylic, which directs the light downward and horizontally. The floor lamp is available in three colours, chrome, black or white, with the top shade colour matching in the black and white versions and featuring a unique red top in the chrome version. The PH 80 floor light is suitable for many spaces, being a classic and chic addition to any interior. A truly wonderful fixture, the floor lamp can be used in lounges, bedrooms, living spaces and more to create a cosy atmosphere with a stunning decorative aesthetic.



PRODUCT SPECIFICATION

- Light Source:** 1 x Max 11.2W E27 LED (Excluded)
- IP Code:** 20
- Dimming:** In-line on/off switch included on cable.
- Dimensions:** Shade: Ø55cm
Height: 131.5cm
Base: Ø32cm
Cable Length: 180cm



For all sales and technical enquiries, please contact:

+44 (0)114 263 4266

info@davidvillagelighting.co.uk

www.davidvillagelighting.co.uk