

David Village Lighting Product Information Sheet

Artemide Tian Xia 500 LED Suspension

LA8049/M

David
Village
Lighting

SOURCE: <https://www.davidvillagelighting.co.uk/product/artemide-tian-xia-500-led-suspension/478>



Artemide

Tian Xia 500 LED by Artemide

Structure in polished aluminium with mirror finish, thermoplastic resin diffuser, translucent film mirror finish. The Artemide Tian-Xia Suspension lamp has three systems of light diffusion: The 1st, positioned inside the luminaire, consists of three halogen sources with coloured dichroic filters for downward direct light emission; the 2nd brings into play the symbolic space of the chandelier, managing the diffused and emotional light through a system of coloured fluorescent sources lighting up the cylindrical surface of the lamp; the 3rd consists of an indirect dimmable halogen light source for a light emission with more traditional warm colour temperature. The variations in light performance are managed by the intelligence of an electronic control unit and an infrared ray remote control.

RRP £4,290.00

Please [contact us](#) for further information.

Designer: Carlotta de Bevilacqua

IP Code: 20

Dimensions:

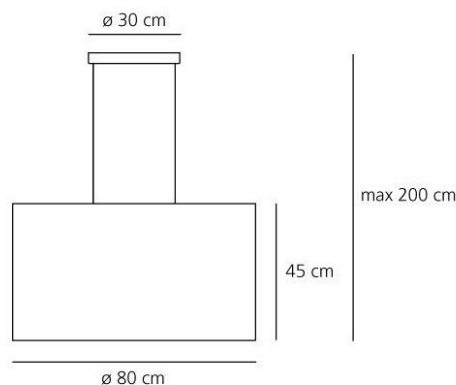
Ø 50 cm

29 cm shade height

max 200 cm cable length

Ø 31 cm ceiling rose

Colour: Polished chrome A246700



David
Village
Lighting

For all sales and technical enquiries,
please contact:

+44 (0)114 263 4266

info@davidvillagelighting.co.uk

www.davidvillagelighting.co.uk