

Artemide

# Artemide Mesmeri Wall Light

LA8048

SOURCE: <https://www.davidvillagelighting.co.uk/product/Artemide-Mesmeri-Wall-Light/344>

## PRODUCT DESCRIPTION

Designer: Eric Solè

### Artemide Mesmeri Wall Light

Artemide Mesmeri Wall Light has a sinuous and light ribbon geometry, with an aluminium body that conceals the source and gives the fitting a clear, continuous profile. Designed by Eric Solè, it was recognised with the 2006 iF Produkt Design Award, the 2006 Red Dot Design Award, and the 2007 Good Design Award.

The concealed source reflects the light primarily upwards but also downwards, opening up the beam into the room. That indirect distribution gives Mesmeri a softer effect than a more exposed wall light, while the curved form keeps a strong visual identity on the wall even when the fitting is switched off.

Artemide Mesmeri Wall Light is available in White and is intended for indoor use. Its compact form and indirect light make it a useful option where the fitting needs to stay visually clean while still contributing to the wider ambience of the room. Best suited for hallways, bedrooms, living spaces, and other interior settings where indirect wall lighting is needed with a clean, sculptural profile.



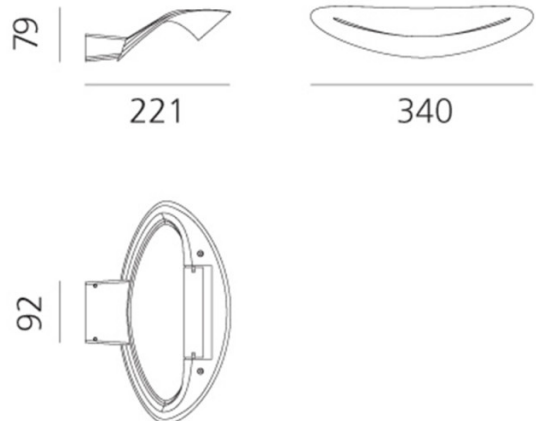
## PRODUCT SPECIFICATION

**Light Source:** 1 x 11W LED R7s (Excluded)

**IP Code:** 20

**Dimming:** Dimmable via mains phase dimming.

**Dimensions:** Width: 34cm  
Depth: 22.1cm  
Height: 7.9cm





**For all sales and technical enquiries, please contact:**

+44 (0)114 263 4266

[info@davidvillagelighting.co.uk](mailto:info@davidvillagelighting.co.uk)

[www.davidvillagelighting.co.uk](http://www.davidvillagelighting.co.uk)