

&Tradition®

&Tradition Tripod HM9 Table Lamp

LA10297/T

SOURCE: <https://www.davidvillagelighting.co.uk/product/Tradition-Tripod-HM9-Table-Lamp/21628>

PRODUCT DESCRIPTION

Designer: Hvidt & Mølgaard

&Tradition Tripod Table Lamp

Following the success of the [Tripod Floor Lamp](#), &Tradition has added the HM9 Table Lamp to the [Tripod Collection](#). The precise, minimalist design remains true to the Tripod's original sketches, first created in 1953 by Hvidt & Mølgaard. The lamp is named after the three-point composition of its base, which features a heavy spherical component to maintain sturdy balance. The bold finishes of Matte Black or Matte White complement the HM9's timeless appeal and simplistic aesthetic.

The HM9 produces bright, directed light, perfect for functional lighting in an office or beside a sofa. A swivel joint allows the head to be adjusted for precise lighting that can be directed as required. In commercial spaces, the HM9 Table Lamp suits contemporary hotel or office spaces, adding a strong, sculptural presence. Display with the Tripod Collection for a cohesive theme throughout the home.



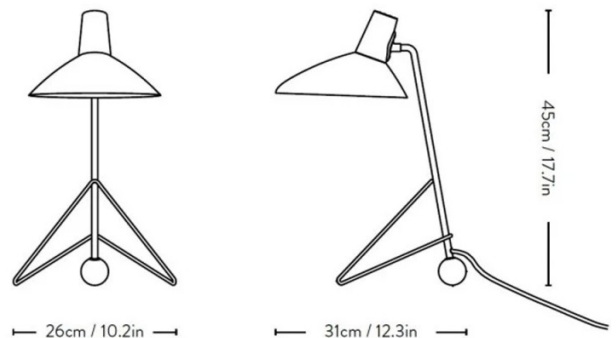
PRODUCT SPECIFICATION

Light Source: 1 x Max 25W LED E14 (Excluded)

IP Code: 20

Dimming: In-line on/off switch included on cable.

Dimensions: Width: 26cm
Height: 45cm
Depth: 31cm
Cable Length: 200cm





For all sales and technical enquiries, please contact:

+44 (0)114 263 4266

info@davidvillagelighting.co.uk

www.davidvillagelighting.co.uk