

Anglepoise Type 80 W2 Wall Lamp

LA10205/W2

SOURCE: <https://www.davidvillagelighting.co.uk/product/anglepoise-type-80-w2-wall-lamp/21340>



ANGLEPOISE®

Type 80 W2 Wall Light by Anglepoise

The newest addition to the [Anglepoise Type 80 collection](#), the Type 80 W2 wall lamp was designed by the iconic Sir Kenneth Grange. The Type 80 W2 brings all the beauty and finesse of the original [Type 80 wall lamp](#) but has more functionality. This wall light has a longer arm and joints located at the wall base and at the lampshade, so you can direct the light exactly where you need to.

The shade of the Type 80 W2 wall light provides a steady and warm glow and also has an opening at the top to create a wonderful halo effect. Suitable for many spaces, the clean lines and chic design make it perfect for many design schemes and will add a contemporary yet classic feel to any interior. Available in a matt black or grey mist colour and has an integrated switch on the lampshade to suit all your needs.

The W2 wall lamp is available to purchase in either a cable & plug version, where you have to install the light near a socket, or in a hard-wired version which can be connected to the mains by a qualified electrician.

Designer: Sir Kenneth Grange

IP Code: 20

Dimming: Integrated on/off switch on the product

Dimensions:

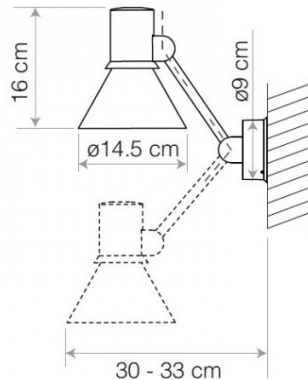
Ø14.5cm shade

16cm shade height

Ø9cm wall base

33cm max. reach (from wall to shade)

250cm cable length (cable & plug)



**David
Village
Lighting**

For all sales and technical enquiries,
please contact:
+44 (0)114 263 4266
info@davidvillagelighting.co.uk
www.davidvillagelighting.co.uk