

ANGLEPOISE®

Anglepoise Type 80 W1 Wall Light

LA10205

SOURCE: <https://www.davidvillagelighting.co.uk/product/Anglepoise-Type-80-W1-Wall-Light/20621>

PRODUCT DESCRIPTION

Designer: Sir Kenneth Grange

Anglepoise Type 80 W1 Wall Light

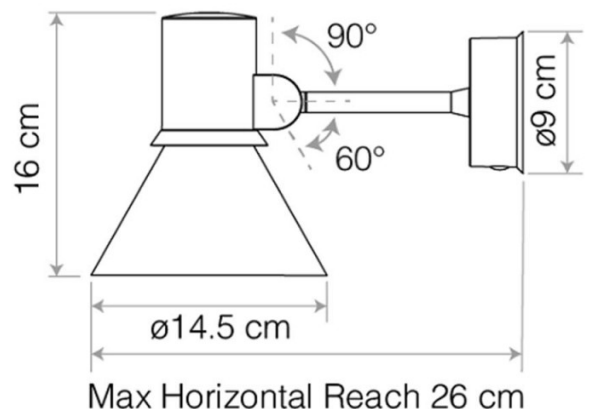
Designed by Sir Kenneth Grange, the Anglepoise Type 80 W1 Wall Light features a striking graphic profile. This premium lighting solution combines form with durability, offering an innovative design with a multitude of carefully considered features. Integrated switches and concealed cables keep the Type 80 free of unnecessary clutter for a sleek, minimalist profile. An opening in the conical shade creates a unique halo of light that complements the lamp's decorative aesthetic.

Available in Matte Black, Grey Mist, and Pistachio Green, the Anglepoise Type 80 W1 Wall Light adds a touch of elegance to any interior. The shade can be rotated and tilted for precise directed light. Display on a gallery wall, beside a bed, or in a reading nook for a versatile lighting solution that alternates between functional and ambient lighting as required. The Type 80 W1 Wall Light is available with a cable and plug or as a hardwired version to suit any interior.



PRODUCT SPECIFICATION

- Light Source:** 1 x Max 6W E27 LED (Included)
- IP Code:** 20
- Dimming:** Integrated on/off switch on the product.
- Dimensions:**
 - Shade: Ø14.5cm
 - Shade Height: 16cm
 - Wall Mount: Ø9cm
 - Maximum Horizontal Reach: 26cm
 - Cable Length: 250cm





For all sales and technical enquiries, please contact:

+44 (0)114 263 4266

info@davidvillagelighting.co.uk

www.davidvillagelighting.co.uk