

# NEMO

LA10095/W2

## Nemo Lighting Tubes 2 LED Wall Light

SOURCE: <https://www.davidvillagelighting.co.uk/product/Nemo-Lighting-Tubes-2-LED-Wall-Light/20353>



### PRODUCT DESCRIPTION

Designer: Charles Kalpakian

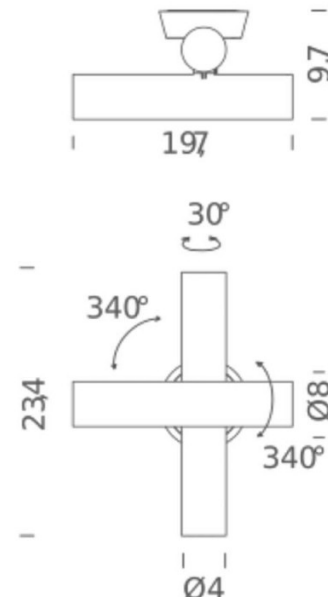
### Nemo Lighting Tubes 2 LED Wall Light

An adjustable, almost sculptural wall light, Tubes 2 was designed by Charles Kalpakian for Nemo. Part of the Tubes collection, which includes wall, pendant and ceiling lights, the fitting offers a warm directional light.

The light is formed by two extruded aluminium cylinders, one overlapping the other and both can be rotated and adjusted independently up to 340°. Tubes 2 is suitable for use as a bedside light, in hallways, any professional settings or in hospitality as the Tubes 2 adds a warm glow.

### PRODUCT SPECIFICATION

- Light Source:** 2 x 4W, 2700K, 190 Lumens
- IP Code:** 20
- Dimming:** Dimmable via Triac or integrated dimmer on product.
- Dimensions:** Height: 23.4cm  
Depth: 9.7 cm  
Width: 19.7cm



For all sales and technical enquiries, please contact:

+44 (0)114 263 4266

[info@davidvillagelighting.co.uk](mailto:info@davidvillagelighting.co.uk)

[www.davidvillagelighting.co.uk](http://www.davidvillagelighting.co.uk)