

HAY

HAY Nelson Saucer Crisscross Bubble Pendant

LA10072

SOURCE: <https://www.davidvillagelighting.co.uk/product/HAY-Nelson-Saucer-Crisscross-Bubble-Pendant/20306>



PRODUCT DESCRIPTION

Designer: George Nelson

HAY Nelson Saucer Crisscross Bubble Pendant

The HAY Nelson Saucer Crisscross Bubble Pendant was designed by George Nelson who is an American designer who was inspired by the silk-covered orb pendants sold in Sweden. These pendants were incredibly expensive and out of Nelson's reach, therefore, he looked for a more modern and affordable material to make his own orb pendants. This is when he came across the spray on polymer webbing material that was originally used by the U.S. military. By spraying this material over a lightweight steel frame, Nelson was able to produce these simple yet glamorous ceiling lamps that created an ambient glow when switched on and a dazzling visual feature when switched off.

The HAY Nelson Saucer Crisscross Bubble Pendant is available in a small and medium size and will add a touch of modern chic to any interior. The resourcefulness used by Nelson to create this inventive design is a characteristic that HAY prides themselves on. George Nelson aimed to use his designs to 'better the world', and the [Bubble collection](#) has strived to achieve this.

PRODUCT SPECIFICATION

Light Source: **Small:** 1 x Max 8W E27 LED (Excluded)
Medium: 1 x Max 13W E27 LED (Excluded)

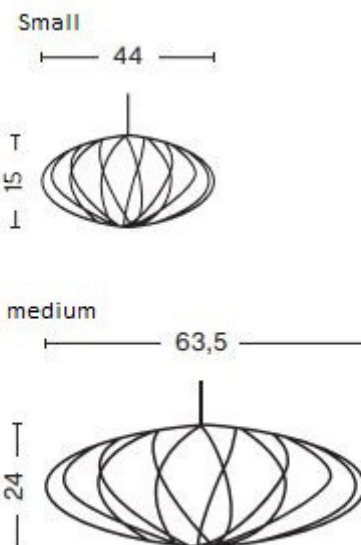
IP Code: 20

Dimming: Dimmable via mains phase dimming.

Dimensions: Small
Ø: 44.5cm
Height: 15cm

Medium
Ø: 63.5cm
Height: 24cm

Cable Length: 300cm





For all sales and technical enquiries, please contact:

+44 (0)114 263 4266

info@davidvillagelighting.co.uk

www.davidvillagelighting.co.uk