



LA6070

## &Tradition Setago JH27 Portable Table Lamp

SOURCE: <https://www.davidvillagelighting.co.uk/product/Tradition-Setago-JH27-Portable-Table-Lamp/20185>

### PRODUCT DESCRIPTION

Designer: Jaime Hayon

### Setago JH27 Portable Lamp by &Tradition

The Setago JH27 is a quirky, diminutive [table lamp](#) which emphasises the importance of small details. Designer Jaime Hayon, one of Wallpaper\* Magazine's top 100 designers in the world, was inspired by the artistry of Japanese lantern-making to combine a classical approach to craftsmanship with modern technology and the result is a clean, uncluttered design, where the workings remain hidden so as to allow the smaller details to shine even more brightly. This is exemplified by the slight upward curve at the bottom of Setago's mushroom-cap shade, what Hayon describes as, 'a small yet stylish accent, much like the Setago itself.' Similarly small and stylish is the discreet touch dimmer which enables you to control the level of diffused, ambient light with a 3-step dimmer setting, to adapt the mood as you move the lamp from one environment to another.

Hayon designs products with a story in mind, and in this case, he has combined the word 'seta' - mushroom in his native Spanish – with the word 'go' - an invitation to move the lamp around – to give his latest design a name which tells the full story of its form and function; Setago is literally defined by its mushroom-like proportions and impressive portability. With a small, lightweight body and no cord to tie it down, you are free to take Setago from room to room. Once the 10-hour battery life runs out, simply recharge via micro-USB and carry on moving it around – or leave it in one place to grab attention.



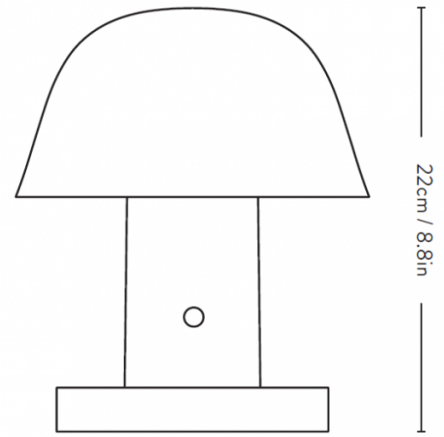
## PRODUCT SPECIFICATION

**Light Source:** 1 x Max 3W G4 LED (included)

**IP Code:** 44

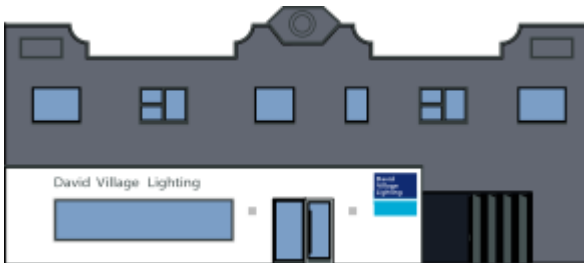
**Dimming:** Integrated dimmer on the product.

**Dimensions:** Shade: Ø23cm  
Base: Ø18cm  
Height: 22cm



18cm / 7.1in

JH27



**For all sales and technical enquiries, please contact:**

+44 (0)114 263 4266

[info@davidvillagelighting.co.uk](mailto:info@davidvillagelighting.co.uk)

[www.davidvillagelighting.co.uk](http://www.davidvillagelighting.co.uk)