

# David Village Lighting Product Information Sheet

## New Works Hang On Honey Pendant - Aluminium

**LA5942/AL**

David  
Village  
Lighting

SOURCE: <https://www.davidvillagelighting.co.uk/product/new-works-hang-on-honey-pendant---aluminium/19965>



New Works Hang On Honey Pendant - Aluminium,  
designed by Niels Bak Rasmussen

Part of the Hang on Honey family, the Oxidized Aluminium pendant reflects on the classic yet rough industrial pendants. Rasmussen's designs are not just functional but he aims to produce a device that both illuminates and ignites a spark within.

**More material options available, please select from the drop down menu**

IP Code: 20

Lamp type:

Halogen Energy Saver

E27

42 Watt



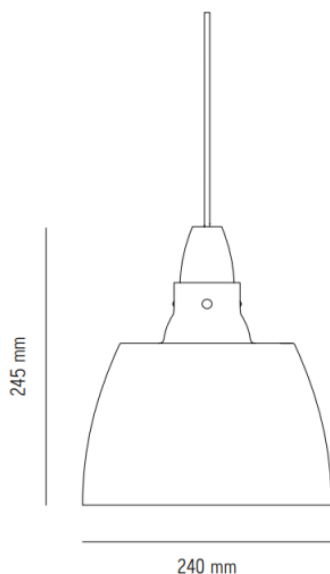
Dimming: Dimmable via mains phase dimming.

Dimensions:

27.5 cm height

Ø 24 cm

Colour: Oxidized Aluminium 20211



David  
Village  
Lighting

For all sales and technical enquiries, please contact:

**+44 (0)114 263 4266**

**info@davidvillagelighting.co.uk**

**www.davidvillagelighting.co.uk**