

artek

Artek JL341 Pendant

LA5830

SOURCE: <https://www.davidvillagelighting.co.uk/product/Artek-JL341-Pendant/19783>

PRODUCT DESCRIPTION

Designer: Juha Leiviskä

Artek JL341 Pendant

The Artek JL341 pendant light, designed by renowned Finnish architect Juha Leiviskä, is a testament to the beauty of minimalism. Crafted from lightweight aluminium, this pendant light has a wide, disk-shaped shade that emits a soft, warm glow, providing both ambient and task lighting.

Available in two finishes, All White and White with Brass Reflectors, the JL341 pendant can seamlessly complement a variety of interiors, from modern living spaces to commercial environments. Whether displayed individually or in multiples, this pendant light is an elegant lighting solution that embodies simplicity and functionality.



PRODUCT SPECIFICATION

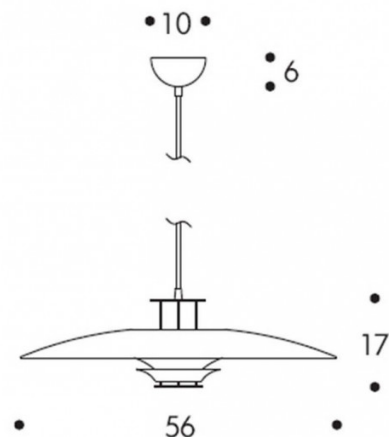
Light Source: 1 x Max 12W E27 (Excluded)

IP Code: 20

Dimming: Dimmable via mains phase dimming.

Dimensions: Height: 17cm
Width: 56cm

Cable Length: 200cm



For all sales and technical enquiries, please contact:

+44 (0)114 263 4266

info@davidvillagelighting.co.uk

www.davidvillagelighting.co.uk