

Artemide

Artemide Teti Ceiling / Wall Light

LA5578

SOURCE: <https://www.davidvillagelighting.co.uk/product/Artemide-Teti-Ceiling-Wall-Light/19289>



PRODUCT DESCRIPTION

Designer: Vico Magistretti

Artemide Teti Ceiling / Wall Light

Designed in 1970 by Vico Magistretti, the Artemide Teti still retains that retro and vintage look and has become a classic for the brand. Teti is suitable for use both as a ceiling or a wall light, and you can also install multiple lights and create unique configurations. The light enhances any interior, providing an evenly diffused illumination that provides ample light.

The bold colour palette is the focal point of this design, adding a retro feel to modern spaces. The Artemide Teti Ceiling/Wall Light is available in five finishes: white, transparent orange, anthracite grey, orange or transparent. Made of thermoplastic material, its essential structure allows for versatile use, adapting easily to a variety of contemporary and classic interiors. Teti is suitable for both residential and commercial projects, becoming a distinctive element no matter where it is displayed.

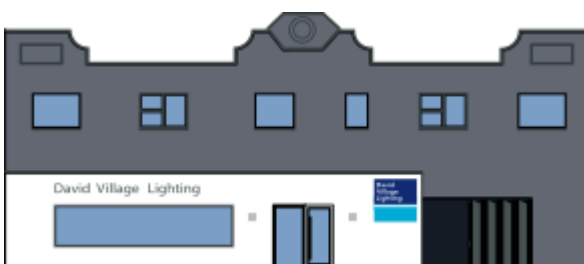
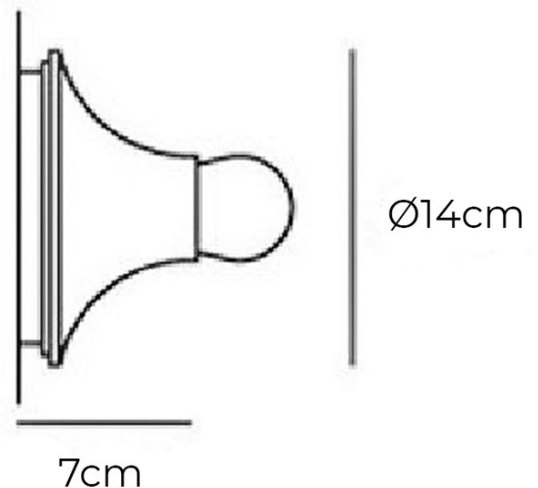
PRODUCT SPECIFICATION

Light Source: 1 x Max 6W LED DIM E27 (Excluded)

IP Code: 20

Dimming: Dimmable via mains phase dimming.

Dimensions: Ø14cm
Depth: 7cm



For all sales and technical enquiries, please contact:

+44 (0)114 263 4266

info@davidvillagelighting.co.uk

www.davidvillagelighting.co.uk