

Resident

LA5558

Resident Circus 250 LED Pendant

SOURCE: <https://www.davidvillagelighting.co.uk/product/Resident-Circus-250-LED-Pendant/19242>

PRODUCT DESCRIPTION

Designer: Resident Studio

Resident Circus 250 LED Pendant

The Resident Circus 250 LED Pendant Light showcases an intricate design of interconnected rings, each measuring 25cm in diameter. This pendant utilises integrated LED technology to provide a warm, diffused 360° glow, perfect for enhancing the ambiance of any space. Available in a brass finish, the Circus 250 is offered in configurations ranging from 2 to 11 rings, catering to both small and large interior designs.

With its modern aesthetic and versatile functionality, the Circus 250 pendant light is an ideal choice for residential and commercial settings. Whether used as a standalone fixture or in combination with other lighting elements, it creates a contemporary and sophisticated focal point. For larger designs, consider the complementary [Circus 750 pendant](#).

Please note, this product is also available in Two, Four, Six, Eight, Ten and Eleven Ring configurations, as well as a black finish across all sizes, please [contact us](#) for further information and pricing.

PRODUCT SPECIFICATION

Light Source:
Three Ring: 3 x 19.2W, 3000K, 2304 Lumens
Five Ring: 5 x 19.2W, 3000K, 2304 Lumens
Seven Ring: 7 x 19.2W, 3000K, 2304 Lumens
Nine Ring: 9 x 19.2W, 3000K, 2304 Lumens

IP Code: 20

Dimming: Dimmable via 1-10v dimming systems. Please consult your electrician, additional wiring may be required on site.

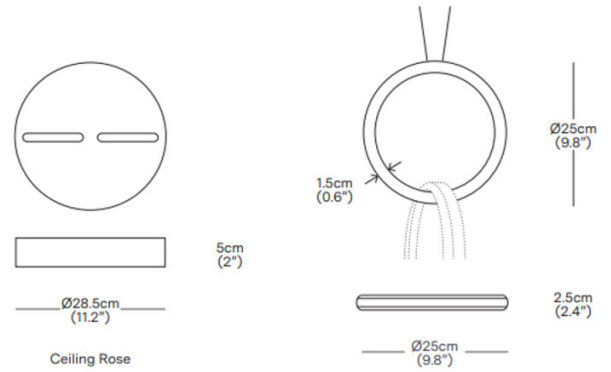
Dimensions: Three Ring:
Shade: Ø25cm
Shade Height: 65cm

Five Ring:
Shade: Ø25cm
Shade Height: 105cm

Seven Ring:
Shade: Ø25cm
Shade Height: 145cm

Nine Ring:
Shade: Ø25cm
Shade Height: 185cm

Canopy (All Sizes): Ø28.5cm
Canopy Height (All Sizes): 5cm
Cable Length (All Sizes): 30-500cm



For all sales and technical enquiries, please contact:

+44 (0)114 263 4266

info@davidvillagelighting.co.uk

www.davidvillagelighting.co.uk