



SOURCE: <https://www.davidvillagelighting.co.uk/product/flos-bon-jour-versailles-led-table-lamp/18726>



FLOS

Bon Jour Versailles LED Table Lamp by Flos

The Bon Jour Versailles table lamp, by renowned designer Philippe Starck, is intricately chiseled from transparent polymethacrylate, delicately complimented by a chrome or copper ring. The table lamp benefits from innovative LED Edge Lighting Technology developed by Flos, which provides a perfectly uniform light, with a power cord length of 200cm and dimmer switch that provide 10-100 % light adjustment.

The Bon Jour Versailles table light evokes timeless elegance and as well as being available in two metallic finishes, the Versailles lamp can have a crown added in a range of colours and finishes including yellow, rattan, fabric, transparent, smoke, amber and red for the small version only. The Bon Jour collection by Philippe Starck also includes the original styled [Bon Jour](#) and a fully [portable model](#).

Designer: Philippe Starck

IP Code: 20

Dimming: In line dimmer included on cable

Dimensions:

Small:

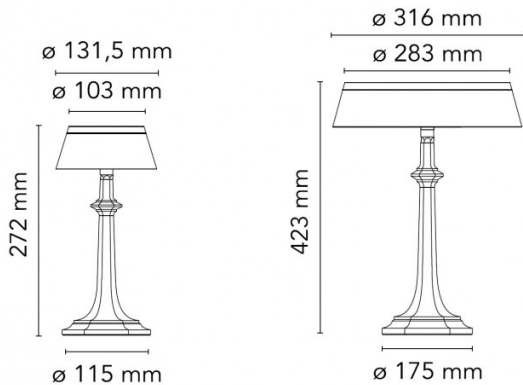
- Ø10.3cm top
- Ø13.15cm shade
- 27.2cm height
- Ø11.5cm base

Large:

- Ø28.3cm top
- Ø31.6cm shade
- 42.3cm height
- Ø17.5cm base

200cm cable length

Colour: Copper / Transparent Shade



**David
Village
Lighting**

For all sales and technical enquiries,
please contact:
+44 (0)114 263 4266
info@davidvillagelighting.co.uk
www.davidvillagelighting.co.uk