

LEE BROOM

# Lee Broom Mini Crescent Pendant

LA5042

SOURCE: <https://www.davidvillagelighting.co.uk/product/Lee-Broom-Mini-Crescent-Pendant/18388>



## PRODUCT DESCRIPTION

Designer: Lee Broom

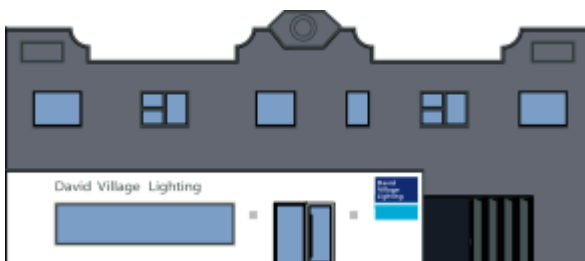
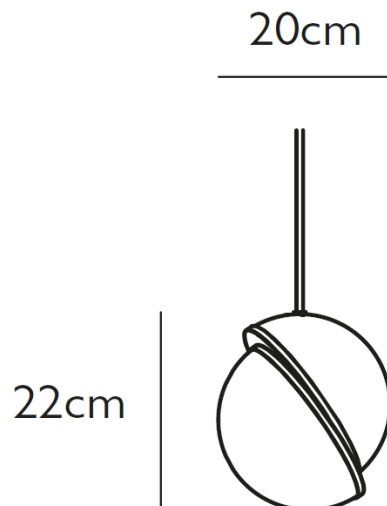
### Lee Broom Mini Crescent Pendant

A smaller version of the popular [Lee Broom Crescent Pendant](#), the key characteristic of the Lee Broom Mini Crescent Pendant is the bisected spherical diffuser, split in half to reveal a brushed brass core resembling a crescent moon. The opal acrylic diffuser appears to be frozen in time, resulting in a fascinating design. The Mini Crescent Pendant offers a unique design and becomes an instant eye-catcher no matter where you display it, the structure combines minimalism and elegance which ensures the lighting solution can adapt to a wide range of settings.

The Lee Broom Mini Crescent looks beautiful when suspended above bedside tables, kitchen countertops and in reading nooks in your living area or lounge. This pendant casts warm and glare-free ambient lighting across your space, and is guaranteed to make your room feel more cosy and inviting.

## PRODUCT SPECIFICATION

- Light Source:** 1 x Max 6.3W E27 LED dimmable (included)
- IP Code:** 20
- Dimming:** Dimmable via TRIAC/Leading edge dimming systems.
- Dimensions:** Height: 22cm  
Width: 20cm  
Cable Length: 300cm  
Ceiling Canopy: 12cm x 3cm



**For all sales and technical enquiries, please contact:**

+44 (0)114 263 4266

[info@davidvillagelighting.co.uk](mailto:info@davidvillagelighting.co.uk)

[www.davidvillagelighting.co.uk](http://www.davidvillagelighting.co.uk)