

LEE BROOM

Lee Broom Crescent Table Lamp

LA5041

SOURCE: <https://www.davidvillagelighting.co.uk/product/Lee-Broom-Crescent-Table-Lamp/18387>

PRODUCT DESCRIPTION

Designer: Lee Broom

Crescent Table Lamp by Lee Broom

The Lee Broom Crescent Table Lamp offers a beautiful combination of solid brass and opaque acrylic, expertly integrating the two materials. This table lamp consists of an asymmetrical sphere that is sliced in half and sits atop a brass pedestal, the two hemispheres of the diffuser are slightly divided, yielding a brass crescent that inspired the name of the [Crescent Collection](#). This lamp appears to be frozen in time as it grants the illusion of the top half of the diffuser slipping away, whilst remaining secure on the structure.

The unique design is perfect for adding a touch of elegance to side tables, bookshelves, coffee tables or bedside tables. The opaque sphere diffuses the light source, emitting a calming ambient illumination which expertly adapts to your interior providing additional light to darker corners of your space, with the in-line switch on the cable making it effortless to turn the Crescent Table Lamp on and off. The Lee Broom Crescent Table Lamp is also available in a [mini version](#) for smaller spaces.



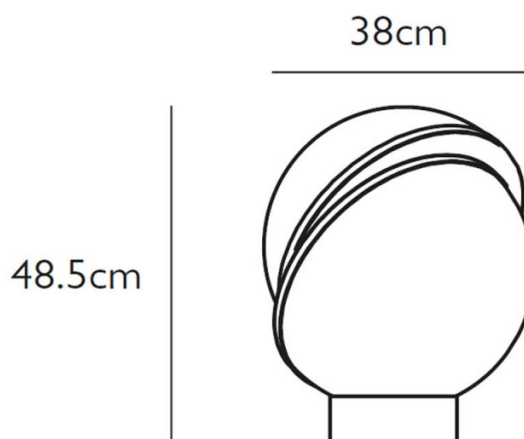
PRODUCT SPECIFICATION

Light Source: 1 x Max 6.3W LED E27 (included)

IP Code: 20

Dimming: In line on/off switch on cable.

Dimensions: Height: 48.5cm
Width: 38cm
Cable Length: 200cm





For all sales and technical enquiries, please contact:

+44 (0)114 263 4266

info@davidvillagelighting.co.uk

www.davidvillagelighting.co.uk