

LEE BROOM

Lee Broom Chamber Large Pendant

LA5039

SOURCE: <https://www.davidvillagelighting.co.uk/product/Lee-Broom-Chamber-Large-Pendant/18385>



PRODUCT DESCRIPTION

Designer: Lee Broom

Lee Broom Chamber Large Pendant

The largest in the [Chamber Collection](#), the Lee Broom Large Chamber Pendant consists of a Carrara marble diffuser that is held within a crystal shade. This lighting solution produces a warm and glare-free downlight which casts a soft glow onto the surface below. The luminance highlights the unique patterns in the Carrara marble, creating a centrepiece guaranteed to be an eye-catcher in your home.

With its gentle illumination, Chamber can be displayed individually or in clusters to create a small installation. This pendant can adapt to both residential and commercial environments, adding a touch of elegance above your coffee table, next to your bed, over your kitchen countertops or in your dining area. In commercial spaces, the Large Chamber Pendant is stunning when displayed above shop counters, over bars in restaurants and over desks in hotel lobbies.

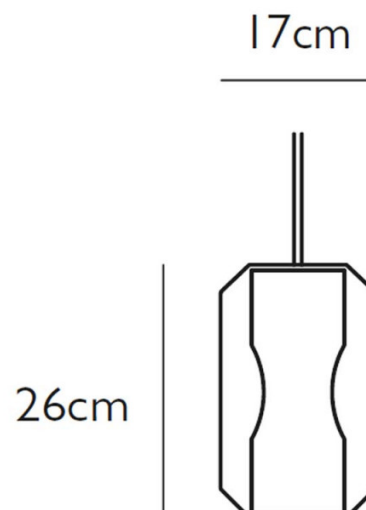
PRODUCT SPECIFICATION

Light Source: 1 x Max 6.3W LED E27 (included)

IP Code: 20

Dimming: Dimmable via mains phase dimming.

Dimensions: Crystal Height: 26cm
Crystal Width: 17cm
Clear Cable: 300cm
Ceiling Rose: 12cm





For all sales and technical enquiries, please contact:

+44 (0)114 263 4266

info@davidvillagelighting.co.uk

www.davidvillagelighting.co.uk