

Northern Acorn Pendant

LA4910

SOURCE: <https://www.davidvillagelighting.co.uk/product/northern-acorn-pendant/18197>



Northern

Northern Acorn Pendant.

Acorn's streamlined shape was inspired by a natural form, giving it organic contours and an understated profile. The shade resembles the empty shell of an acorn, which becomes hollow once the ripened nut has broken free. Like an acorn's stem, the top of the shade tapers into a tactile shape. Streamlined and sophisticated, the lamp is suspended from the ceiling by a silk cord that conceals the power cable inside it. The lamp attaches to the ceiling with ceiling canopy crafted in the same style as the shade.

This pendant lamp belongs to a new breed of designs that replicate the beauty of nature in a functional object. Made in aluminium and beech or walnut, and painted either off-white or grey, the lamp combines natural materials with unassuming colours. Acorn is a natural complement to contemporary interiors, and a great way to shine light across table tops, desks and work surfaces.

Wooden parts: Light beech or dark walnut (both colours are included)

Lamp excluded.

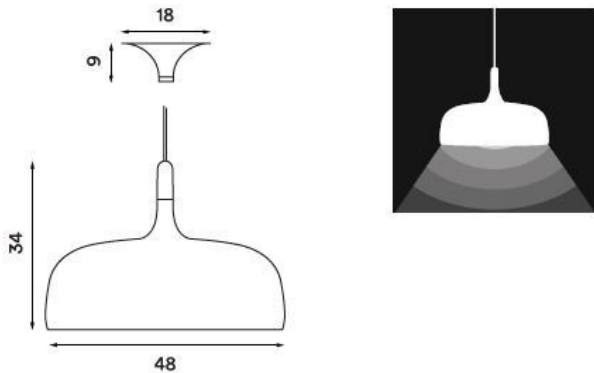
IP Code: 20

Dimming: Dimmable via mains phase dimming.

Colour: White

Grey

Black



David
Village
Lighting

For all sales and technical enquiries,
please contact:

+44 (0)114 263 4266

info@davidvillagelighting.co.uk

www.davidvillagelighting.co.uk