

Resident

Resident Circus 750 LED Pendant

LA4898

SOURCE: <https://www.davidvillagelighting.co.uk/product/Resident-Circus-750-LED-Pendant/18174>



PRODUCT DESCRIPTION

Designer: Resident Studio

Resident Circus 750 LED Pendant Light

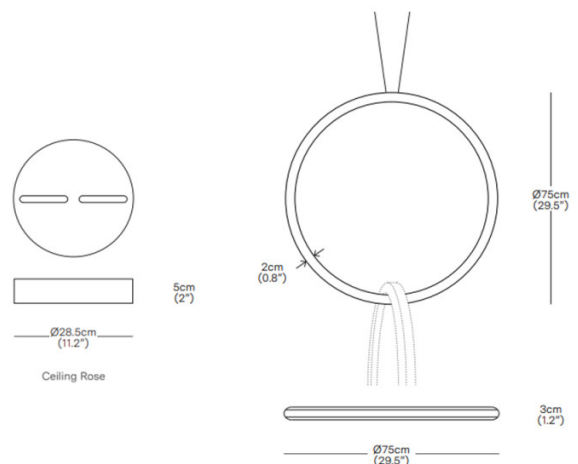
The Resident Circus 750 LED Pendant Light by Resident Studio takes bold design to new heights with interconnected LED rings, each measuring 75cm in diameter. This pendant emits a warm 360° glow, creating a captivating focal point in any interior. Crafted in a brass finishes, the Circus 750 balances striking aesthetics with exceptional functionality.

Perfect as a statement piece in larger spaces or as a primary light in smaller rooms, the Circus 750 pendant seamlessly blends contemporary style with practical illumination. Pair it with the smaller [Circus 250 pendant](#) for a cohesive lighting design.

Please note, this product is also available in Two and Four Ring configurations, as well as a black finish across all sizes, please [contact us](#) for further information and pricing.

PRODUCT SPECIFICATION

Light Source:	3 x 57.6W, 3000K, 6912 Lumens
IP Code:	20
Dimming:	Dimmable via 1-10v dimming systems. Please consult your electrician, additional wiring may be required on site.
Dimensions:	Shade: Ø75cm Shade Height: 213cm Canopy: Ø28.5cm Canopy Height: 5cm Cable Length: 30-500cm





For all sales and technical enquiries, please contact:

+44 (0)114 263 4266

info@davidvillagelighting.co.uk

www.davidvillagelighting.co.uk