



SOURCE: <https://www.davidvillagelighting.co.uk/product/axolight-orchid-ap-led-ceilingwall-light/18056>



Axolight

Orchid AP by Axolight

A single shade, with an organic design that was inspired by natural blossom shapes. The design belongs to Rainer Mutsch, who created the Orchid Collection for Italian brand, Axolight. Orchid AP wall light opens up and can be installed to face any direction, either as a wall or a ceiling light. The opalescent diffuser emits a diffused beam of soft light, creating a warm and welcoming atmosphere. While the light looks exquisite as a standalone, you may choose to install multiple Orchid AP lights in your home or business. Orchid AP lights are available in white, sand or anthracite grey so that they can instantly match any interior decor.

The [Orchid Collection](#) has become very popular since its launch in 2017, and also includes a floor lamp, a vertical and a horizontal suspension, and a triple ceiling/wall light.

Designer: Rainer Mutsch

IP Code: 20

Dimming: Dimmable via mains phase dimming.

Dimensions:

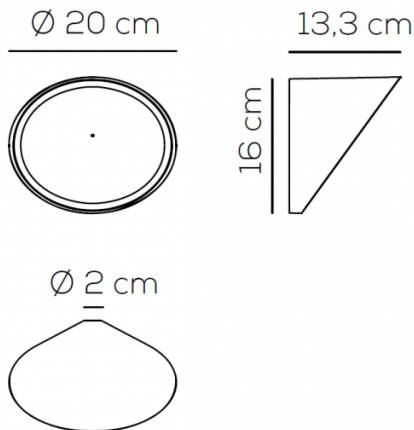
Ø 20 cm

13.3 cm depth

16 cm height

Colour: White

Sand



For all sales and technical enquiries,
please contact:
+44 (0)114 263 4266
info@davidvillagelighting.co.uk
www.davidvillagelighting.co.uk