

BROKIS®

Brokis Knot Pendant

LA4850

SOURCE: <https://www.davidvillagelighting.co.uk/product/Brokis-Knot-Pendant/18052>



PRODUCT DESCRIPTION

Designer: Chiamonte Marin

Brokis Knot LED Pendant

The Brokis Knot Pendant is an easily adaptable ambient lighting solution. This design by Chiamonte & Marin is crafted from handblown glass with natural fibre detailing. Knot creates a striking contrast by combining these two materials. The handblown shades are available in a wide range of shapes and finishes, with the fibre cable appearing to pull the bottom of the glass inward, creating a fun and unique illusion.

The glass shade of the Brokis Knot Pendants houses an integrated LED light source, which emits a soft but functional glow - your chosen glass finish will determine how diffused the illumination is. Knot Pendants are a great addition to above dining tables, over coffee tables and stairwells. Display these lights individually or as part of a cluster, combining shapes and sizes.

PRODUCT SPECIFICATION

Light Source: **PC1037:** 6.5W, 2700K, 849 Lumens
PC1034: 5W, 2700K, 636 Lumens
PC1036: 3.4W, 2700K, 425 Lumens
PC1035: 6.5W, 2700K, 849 Lumens

IP Code: 20

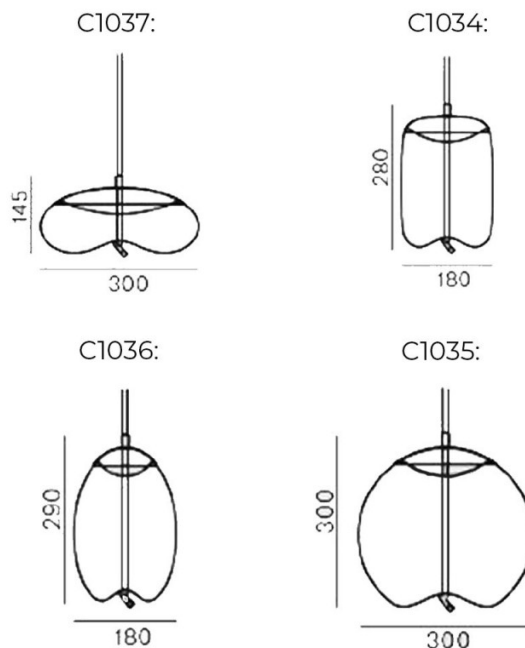
Dimming: Non-Dimmable.

Dimensions: **PC1037:**
 Ø30cm
 Height: 14.5cm

PC1034:
 Ø18cm
 Height: 28cm

PC1036:
 Ø18cm
 Height: 29cm

PC1035:
 Ø30cm
 Height: 30cm





For all sales and technical enquiries, please contact:

+44 (0)114 263 4266

info@davidvillagelighting.co.uk

www.davidvillagelighting.co.uk