

louis poulsen

Louis Poulsen AJ Wall Light

LA4688

SOURCE: <https://www.davidvillagelighting.co.uk/product/Louis-Poulsen-AJ-Wall-Light/17736>

PRODUCT DESCRIPTION

Designer: Arne Jacobsen

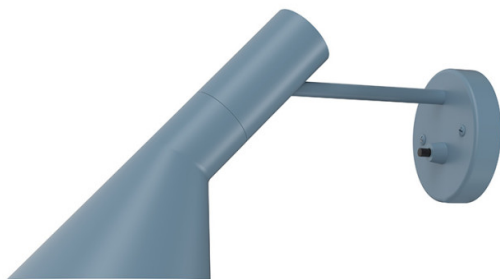
AJ Wall Light by Louis Poulsen

The AJ Wall Light in Black/Brass and Grey/Brass are available to pre-order for official launch on May 1st 2025.

Originally designed in 1960 by Jacobsen for the SAS Royal Hotel in Copenhagen, today the collection has iconic status. The AJ collection is striking yet not imposing, it has a swivelling shade and sculptural design. The diffuser creates a focused beam of light with very little glare - the perfect way to illuminate reading desks and kitchens alike and the shade is painted white on the inside to ensure a soft comfortable light.

True to Scandinavian style, this wall light features a cable and plug which requires a nearby power socket. Alternatively, the light can be hard-wired into the wall by a qualified electrician if preferred.

Louis Poulsen is honouring Arne Jacobsen and celebrating his iconic design with a new and dynamic colour universe for the popular AJ table, floor and wall lamps. The new colour palette is taken from colours used within Jacobsen's watercolour paintings.



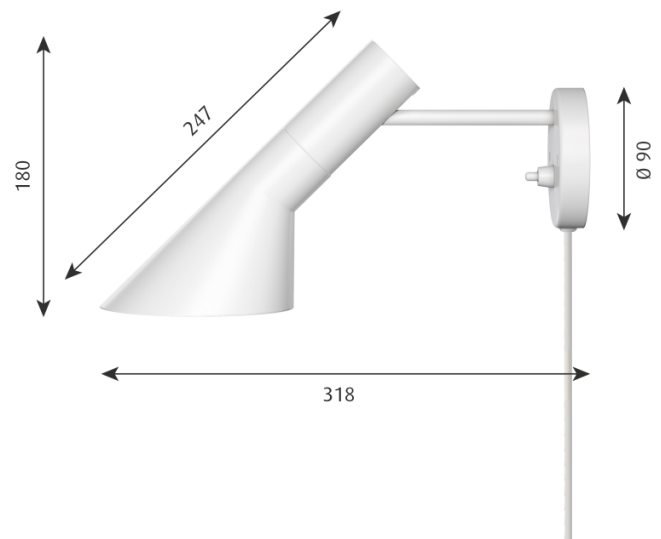
PRODUCT SPECIFICATION

Light Source: 1 x Max 5W E14 LED (excluded)

IP Code: 20

Dimming: Integrated on/off switch on the product.

Dimensions: Height: 18cm
Shade Length: 24.7cm
Depth: 31.8cm
Wall Base: Ø9cm





For all sales and technical enquiries, please contact:

+44 (0)114 263 4266

info@davidvillagelighting.co.uk

www.davidvillagelighting.co.uk