

Resident

Resident Parison Pendant

LA4462

SOURCE: <https://www.davidvillagelighting.co.uk/product/Resident-Parison-Pendant/17397>



PRODUCT DESCRIPTION

Designer: Cheshire Architects

Resident Parison Pendant

The Resident Parison Pendant is a captivating design by Cheshire Architects, blending artistry and craftsmanship. Mouth-blown from a combination of black and clear glass, the shade features a seamless ombre effect, transitioning from opaque at the top to transparent at the base. Beneath the glass, slanted facets create a dynamic interplay between smooth and jagged textures, offering a striking visual contrast.

Equipped with a high-quality lamp discreetly housed in the neck, the Parison Pendant emits a warm 2700K glow, setting the perfect ambience for living rooms, dining areas, or bedrooms. Ideal for display as a standalone statement piece or in clusters, this pendant's minimalist design adds elegance and warmth to any space. Handcrafted in Auckland, New Zealand, it exemplifies precision and creativity.

PRODUCT SPECIFICATION

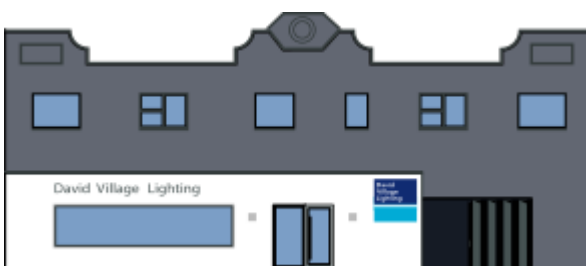
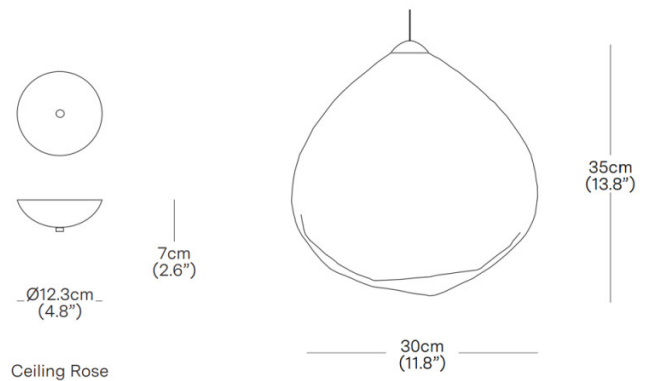
Light Source: 1 x Max 6W E27 LED (Included)

IP Code: 20

Dimming: Dimmable via mains phase dimming.

Dimensions: Shade: Ø30cm
 Shade Height: 35cm
 Canopy: Ø12.3cm
 Canopy Height: 7cm

Cable Length: 30-300cm



For all sales and technical enquiries, please contact:

+44 (0)114 263 4266

info@davidvillagelighting.co.uk

www.davidvillagelighting.co.uk