

davide groppi

# Daide Groppi Shoji Floor Lamp

LA4398

SOURCE: <https://www.davidvillagelighting.co.uk/product/Daive-Groppi-Shoji-Floor-Lamp/17296>

## PRODUCT DESCRIPTION

**Designer:** Davide Groppi

### Daide Groppi Shoji Floor Lamp

The Shoji Floor Lamp was designed by Davide Groppi, boasting a sophisticated design that serves as evidence of the incredible artistry displayed by both designers. The name Shoji emulates the traditional Japanese sliding doors, which are usually constructed from bamboo paper. The Shoji Floor Lamp is a traditional style lamp with a contemporary twist, adding a timeless element to any décor, whether residential or commercial.

The Davide Groppi Shoji Floor Lamp offers powerful illumination with its high wattage capacity, making it ideal for lighting up any space. While the shade smoothly diffuses the illumination, offering an evenly emitted glow. Additionally, its inline dimmer feature allows you to easily create the perfect ambient environment.



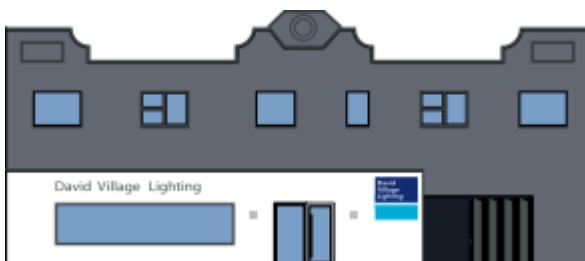
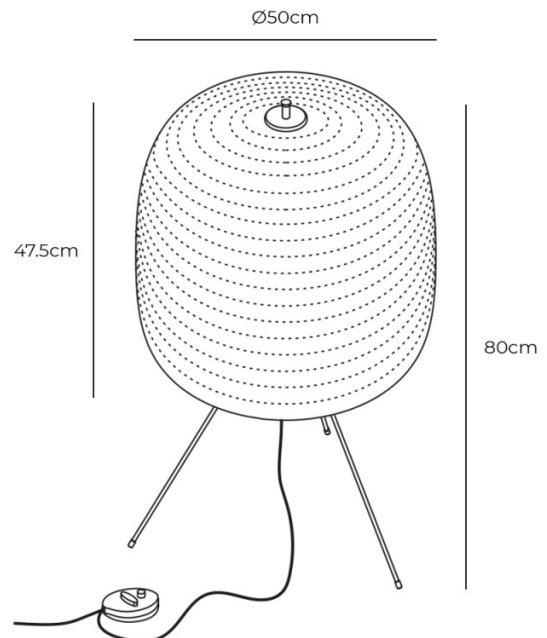
## PRODUCT SPECIFICATION

**Light Source:** 1 x Max 18W E27 LED (Excluded)

**IP Code:** 20

**Dimming:** In-line dimmer included on cable.

**Dimensions:** Shade: Ø50cm  
Shade Height: 45.5cm  
Full Height: 80cm  
Cable Length: 250cm



**For all sales and technical enquiries, please contact:**

+44 (0)114 263 4266

[info@davidvillagelighting.co.uk](mailto:info@davidvillagelighting.co.uk)

[www.davidvillagelighting.co.uk](http://www.davidvillagelighting.co.uk)