

David Village Lighting Product Information Sheet

Diesel with Foscarini White Noise LED Suspension

LA4285

David
Village
Lighting

SOURCE: <https://www.davidvillagelighting.co.uk/product/diesel-with-foscarini-white-noise-led-suspension/17123>



DIESEL *with* **FOSCARINI**

Diesel with Foscarini White Noise Suspension. White Noise is the first lamp in the Diesel Living collection with a LED light source, and it takes the atmosphere in the room to another galaxy. Its large black aluminium dome is sprayed by hand inside with a dense white varnish. This craft-based process produces a material texture and a simultaneously decorative and functional effect when it reflects light. A small perforated cap inside the diffuser - in a shape resembling a flying saucer - directs a strip of intense light downwards. At the same time, the glow reflects within the dome diffuser and fades out at the edges like an evocative light explosion.

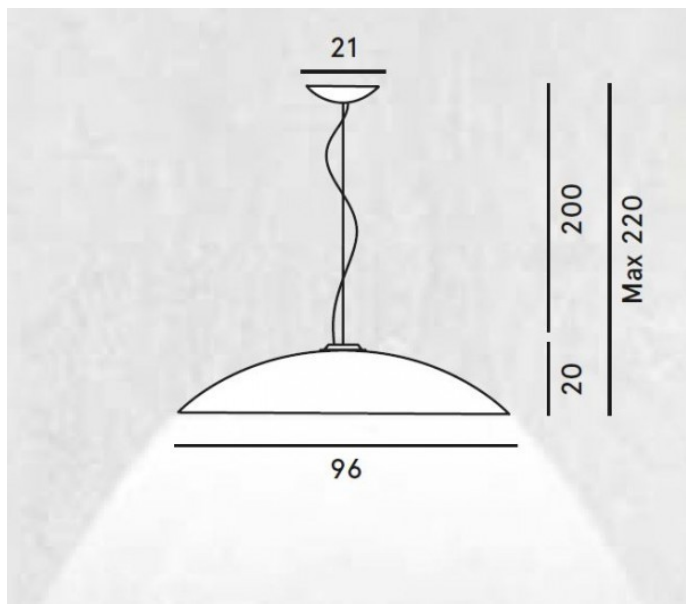
Materials:
Varnished aluminium

Also available in a dimmable LED version, please ask for prices & availability.

Dimming: Non-dimmable as standard

Dimensions:

Ø 96 cm
20 cm Shade height
200 cm Cable length
Ø 21 cm Ceiling rose



David
Village
Lighting

For all sales and technical enquiries,
please contact:
+44 (0)114 263 4266
info@davidvillagelighting.co.uk
www.davidvillagelighting.co.uk