

Artemide

Artemide Pausania LED Table Lamp

LA4263

SOURCE: <https://www.davidvillagelighting.co.uk/product/Artemide-Pausania-LED-Table-Lamp/17082>

PRODUCT DESCRIPTION

Designer: Ettore Sottsass

Artemide Pausania LED Table Lamp

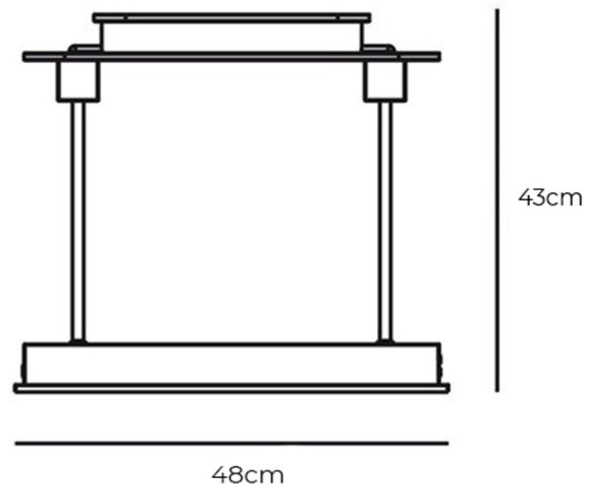
The Artemide Pausania Table Lamp was designed in the 80s by Eric Sottsass, the godfather of contemporary Italian lighting. Pausania is reminiscent of the banker's table lamp, which has been re-imagined with LED technology, making it energy efficient and eco-friendly. This lamp is part of the permanent collection in many museums, including the Metropolitan Museum of Art in New York. Pausania is also equipped with the latest Tunable White technology. The Tunable White property allows you to adjust the light intensity and colour temperature depending on the task at hand, changing it to create a different atmosphere.

The LED source is fitted into the top of the design and is projected down onto the surface below, creating a pool of illumination. For this reason, the Artemide Pausania Table Lamp is a stylish addition to your desk as a classic task lighting solution. The sleek black and green colour palette adds an eye-catching detail to the luminaire.



PRODUCT SPECIFICATION

- Light Source:** 10W, 2700-6500K, 690 lumens
- IP Code:** 20
- Dimming:** Integrated dimmer included on the product.
- Dimensions:** Width: 48cm
Height: 43cm
Cable Length: 200cm





For all sales and technical enquiries, please contact:

+44 (0)114 263 4266

info@davidvillagelighting.co.uk

www.davidvillagelighting.co.uk