

Prandina La Belle Pendant

LA3959



SOURCE: <https://www.davidvillagelighting.co.uk/product/prandina-la-belle-pendant/16727>



prandina LIGHTING STORIES

La Belle Pendant Light by Prandina

The La Belle pendant was designed by Filippo Protasoni in 2011 and is an intriguing and modernistic light. Made from two diffusers, the two elements work together to produce a light that is both stylish and contemporary. The outer shade is a coloured one, available in clear red and clear grey, and covers over an opal white inner diffuser. This inner diffuser covers the light source, producing a warm glow that is inviting and welcoming.

The La Belle pendant light is suitable for many spaces but will look particularly good in kitchens, lounges and dining rooms. Perfect for both homes and professional settings, this pendant light makes a statement with its interesting aesthetic and stand-out colours. Buy several to line the room or buy one for a feature light.

This version of the La Belle is non-dimmable but a dimmable version is available on request. Please [contact us](#) for more information.

Designer: Filippo Protasoni

IP Code: 20

Dimming: Non-dimmable

Dimensions:

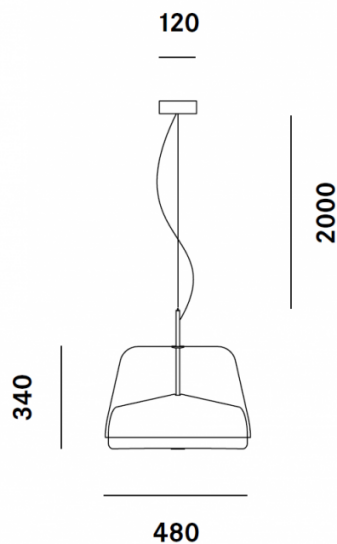
Ø48cm shade

34cm shade height

Ø12cm ceiling rose

200cm cable length

Colour: Red



David
Village
Lighting

For all sales and technical enquiries,
please contact:

+44 (0)114 263 4266

info@davidvillagelighting.co.uk

www.davidvillagelighting.co.uk