

Artemide

Artemide Tizio 35 Floor Support only

LA8831/B

SOURCE: <https://www.davidvillagelighting.co.uk/product/Artemide-Tizio-35-Floor-Support-only/16013>



PRODUCT DESCRIPTION

Designer: Richard Sapper

Artemide Tizio 35 Floor Support

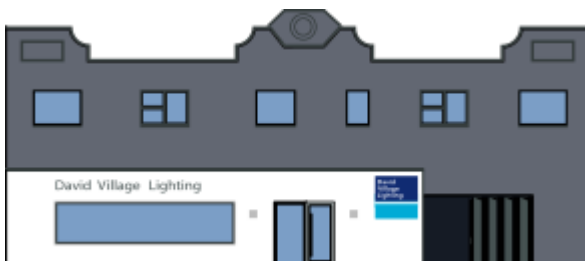
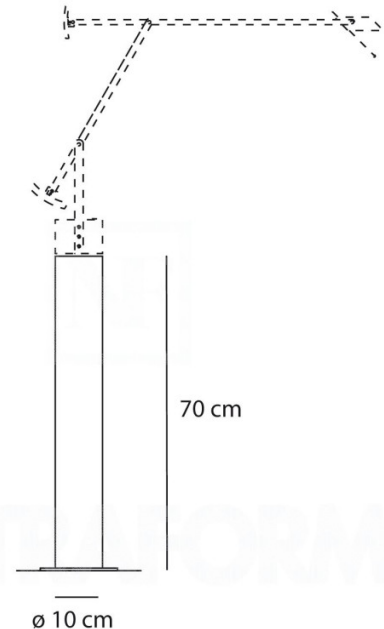
The Floor support (only) for the classic Artemide Tizio 35 in Black. Designed to make your Tizio lamp even more functional, making the Tizio 35 a table and floor lamp in one.

Suitable for Tizio 35 only.

The [Tizio Collection](#) includes different sized Tizio's and Floor Supports.

PRODUCT SPECIFICATION

Dimensions: Ø 10 cm base
70 cm base height



For all sales and technical enquiries, please contact:

+44 (0)114 263 4266

info@davidvillagelighting.co.uk

www.davidvillagelighting.co.uk