

# David Village Lighting Product Information Sheet

## Marset Santorini Fixed Stem Wall Light

**LA3075**

David  
Village  
Lighting

SOURCE: <https://www.davidvillagelighting.co.uk/product/marset-santorini-fixed-stem-wall-light/15491>



## marset

### Marset Santorini Fixed Stem Wall Light.

Inspired by the lanterns found on fishing boats, this collection of outdoor customizable lamps allows you to create multiple compositions. Users can choose how many shades to place on the diffuser, along with their order, position and direction. This interplay of combinations yields a rich array of direct or reflected light.

The Santorini collection can be hung from the ceiling, either individually or clustered together, or they can be strung up like a garland. They also work as wall lamps or standing lamps using accessories that can easily be added.

Designer: Sputnik Estudio

IP Code: 65

Dimming: Dimmable via mains phase dimming

Dimensions:

21.2 cm Shade diameter

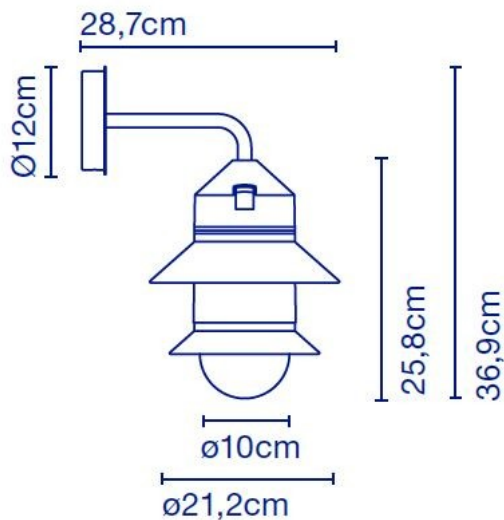
26.7 cm Depth from wall

36.9 cm Length of light fixture

Colour: Grey

White

Mustard



David  
Village  
Lighting

For all sales and technical enquiries, please contact:

**+44 (0)114 263 4266**

**info@davidvillagelighting.co.uk**

**www.davidvillagelighting.co.uk**