



# Artemide Talo LED Suspension

LA7739

SOURCE: <https://www.davidvillagelighting.co.uk/product/Artemide-Talo-LED-Suspension/15010>



## PRODUCT DESCRIPTION

Designer: Neil Poulton

### Artemide Talo LED Suspension

Crafted from aluminium, the Artemide Talo Suspension is defined by its clean lines and uncluttered profile. Designer Neil Poulton has perfected the art of simplicity in design, resulting in a sleek and sultry suspension that is essential and functional. The suspension is available in three finishes: White, Black, or Silver, to suit a range of interiors.

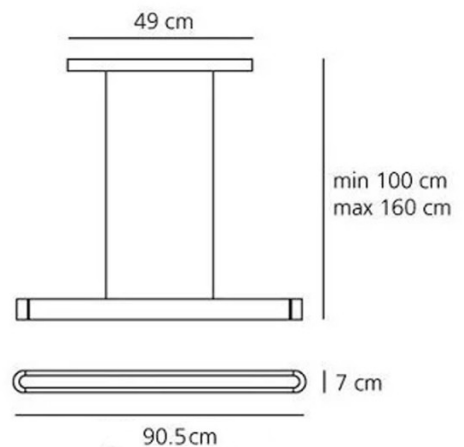
The Talo Suspension offers a quiet, architectural presence. When illuminated, the integrated LED casts light in an upward and downward glow, for functional lighting that adds a comfortable ambience to a room with a sense of depth. This bright lighting makes the Talo well-suited to use above a dining table, desk, or kitchen island, illuminating the surface below. In commercial spaces, display the Talo in a contemporary hotel or office space for comfortable lighting with a touch of sophistication. The dimmable version allows users to modify light output to suit any mood.

**Please note, the Talo Suspension is also available in two larger sizes, measuring at 120cm and 150cm in length.**

[Contact us](#) for pricing and information.

## PRODUCT SPECIFICATION

- Light Source:** 32W, 3000K, 3707 Lumens
- IP Code:** 20
- Dimming:** Dimmable version: Dimmable via Push to make/switch dimming, dimmable using push to make switches. Please consult your electrician, additional wiring may be required.
- Dimensions:** Length: 90.5cm  
Height: 7cm  
Cable Length: 100-160cm





**For all sales and technical enquiries, please contact:**

+44 (0)114 263 4266

[info@davidvillagelighting.co.uk](mailto:info@davidvillagelighting.co.uk)

[www.davidvillagelighting.co.uk](http://www.davidvillagelighting.co.uk)