

Artemide

# Artemide Unterlinden LED Pendant

LA7138

SOURCE: <https://www.davidvillagelighting.co.uk/product/Artemide-Unterlinden-LED-Pendant/14317>



## PRODUCT DESCRIPTION

Designer: Herzog & De Meuron

### Artemide Unterlinden Pendant

Originally designed for the Unterlinden Museum in Colmar, France, the Artemide Unterlinden Pendant Light bears the signature of Herzog & De Meuron. It represents the amalgamation of technological innovation and the aesthetics of a classic piece. While the silhouette boasts a classic minimalistic form, the luminaire houses a high-performance LED COB to ensure the highest quality of light and energy efficiency. Choose between an antique aluminium or antique brass finish, both of which host a unique texture and add character to your space.

A sleek downlight with a discreet yet stylish shade, the Artemide Unterlinden Pendant produces a glare-free and focused illumination that is suitable for any setting, whether residential or professional. The pendant is especially noticeable when installed in clusters from high ceiling spaces, creating an eye-catching statement piece.

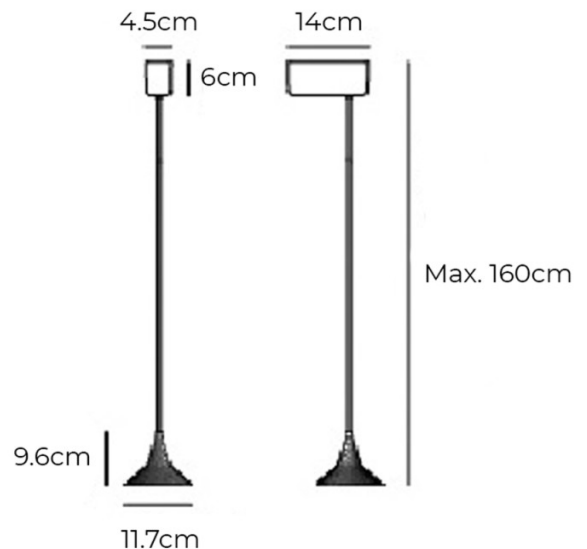
## PRODUCT SPECIFICATION

**Light Source:** 2700K: 7.5W, 2700K, 339 Lumens  
3000K: 7.5W, 3000K, 349 Lumens

**IP Code:** 20

**Dimming:** Non-Dimmable.

**Dimensions:** Shade: Ø11.7cm  
Shade Height: 9.6cm  
Maximum Drop: 160cm  
Ceiling Canopy: 14 x 4.5 x 6cm





**For all sales and technical enquiries, please contact:**

+44 (0)114 263 4266

[info@davidvillagelighting.co.uk](mailto:info@davidvillagelighting.co.uk)

[www.davidvillagelighting.co.uk](http://www.davidvillagelighting.co.uk)