

Artemide
ARCHITECTURAL

LA6766

Artemide Architectural Niki Outdoor Wall / Ceiling Light

SOURCE: <https://www.davidvillagelighting.co.uk/product/Artemide-Architectural-Niki-Outdoor-Wall-Ceiling-Light/13716>

PRODUCT DESCRIPTION

Designer: Ernesto Gismondi

Artemide Architectural Niki Outdoor Wall / Ceiling Light



The Artemide Architectural Niki Outdoor Wall / Ceiling Light is a compact stainless steel bulkhead designed by Ernesto Gismondi for architectural projects that demand robustness and restraint. Its circular stainless steel housing and prismatic glass diffuser give a familiar, almost nautical character that sits comfortably across a wide range of building types, from residential entrances to hospitality terraces and external stair cores. With an IP65 rating and IK05 impact resistance, Niki is engineered for exposed locations and busy circulation routes.

The moulded stainless steel front frame is available in either gloss or satin finishes and is secured with screws that compress the polyurethane gaskets, ensuring a watertight seal between body and diffuser. Behind the prismatic glass sits an E27 LED, giving specifiers the freedom to select lamp type and output while the enclosure maintains consistent protection.

Niki can be mounted on walls or ceilings, internally or externally, and is well suited to bathrooms, lobbies, covered walkways and outdoor circulation spaces where a diffuse, glare controlled light is required. Its durable construction and simple form make it a dependable choice for residential, hospitality and mixed use developments, particularly in coastal or high humidity environments.

As the official UK distributor, we can support you with the Artemide configurator and specification. Contact us at artemide@davidvillagelighting.co.uk.

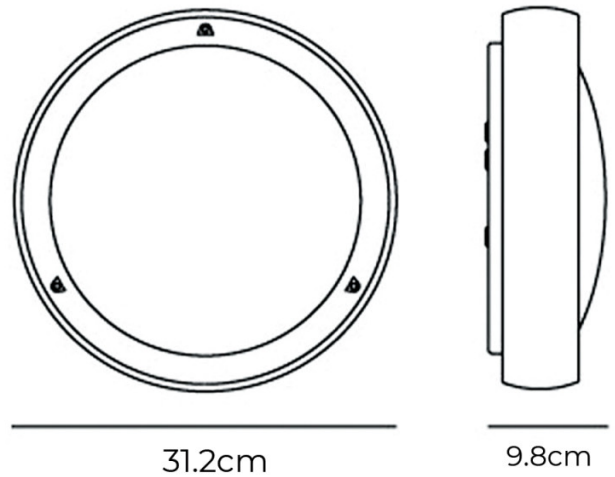
PRODUCT SPECIFICATION

Light Source: 1 x Max 12W E27 LED (Excluded)

IP Code: 65

Dimming: Dimmable via mains phase dimming.

Dimensions: Fitting: Ø31.2cm
Depth: 9.8cm



For all sales and technical enquiries, please contact:

+44 (0)114 263 4266

info@davidvillagelighting.co.uk

www.davidvillagelighting.co.uk