

Artemide

# Artemide Pirce Mini LED Suspension

LA8294-  
MINI/LED

SOURCE: <https://www.davidvillagelighting.co.uk/product/Artemide-Pirce-Mini-LED-Suspension/13544>



## PRODUCT DESCRIPTION

**Designer:** Giuseppe Maurizio Scutella

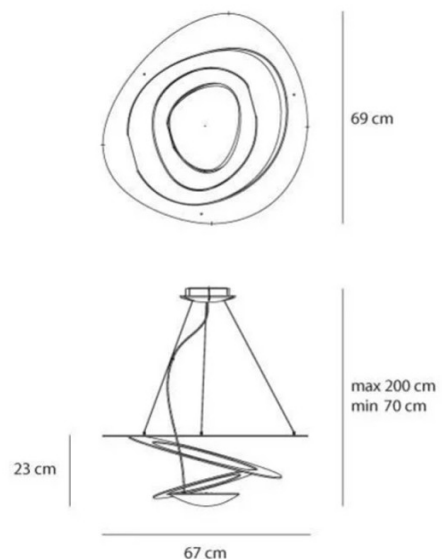
### Artemide Pirce Mini LED Suspension

The Pirce Mini Suspension is a sculptural, contemporary design by Giuseppe Maurizio Scutellà. Created for Artemide, the mini suspension is a smaller version of the [Pirce Suspension](#), designed to suit a wide range of spaces, regardless of size. With a drop height of between 70 and 200cm, the Mini Suspension also fits rooms with low ceilings. Originally released in halogen, the Pirce has been reimaged to incorporate an integrated LED light source for a more energy-efficient and eco-friendly light.

The Pirce Mini Suspension boasts a sculptural silhouette, comprised of slim aluminium discs that appear to twirl and flow in alluring spirals. The light source is housed within the lower dish to cast light upwards. When illuminated, the metal frame reflects the light to create a captivating play of light and shadow that adds an inviting ambience to the surrounding space. Display individually, or in clusters with other suspensions of various sizes from the [Pirce Collection](#) for a unique and dynamic composition that appears differently depending on the angle it's viewed.

## PRODUCT SPECIFICATION

<b>Light Source:</b>	44W, 2700K, 3097 Lumens or 44W, 3000K, 3313 Lumens
<b>IP Code:</b>	20
<b>Dimming:</b>	Push to make/switch dimming, dimmable using push-to-make switches. Please consult your electrician; additional wiring may be required on-site.
<b>Dimensions:</b>	Height: 23cm Width: 69cm Length: 67cm Drop: 70-200cm





**For all sales and technical enquiries, please contact:**

+44 (0)114 263 4266

[info@davidvillagelighting.co.uk](mailto:info@davidvillagelighting.co.uk)

[www.davidvillagelighting.co.uk](http://www.davidvillagelighting.co.uk)