

oluce

Oluce Acrilica 281 LED Table Lamp

LA9961

SOURCE: <https://www.davidvillagelighting.co.uk/product/Oluce-Acrilica-281-LED-Table-Lamp/12403>



PRODUCT DESCRIPTION

Designer: Joe Colombo

Oluce Acrilica 281 LED Table Lamp

Oluce Acrilica 281 LED Table Lamp was designed by Joe Colombo in 1962. This is the first project which Joe Colombo designed for Oluce and the only project he worked on alongside his brother Gianni. The 281 Model Table Lamp was immediately nicknamed Acrilica due to its surprising conspicuousness and exceptional innovation of the significant curve which has been made from acrylic. Acrilica LED Table Lamp gives indirect and diffused light with a lacquered steel base and a perspex diffuser. Thoughtfully designed, the Acrilica table lamp won a gold medal in 1964 at the XIII Triennial in Milan.

Oluce Acrilica LED Table Lamp adds a contemporary and delicate element to your office décor and evokes conversation and stories. Acrilica 281's body is transparent which, when on, creates a striking visual feature.

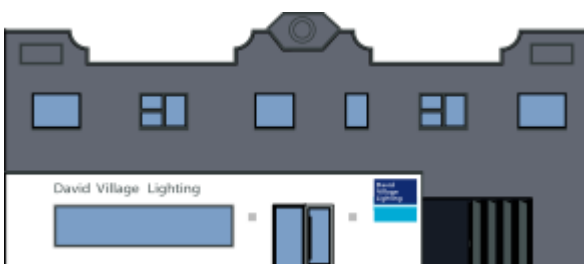
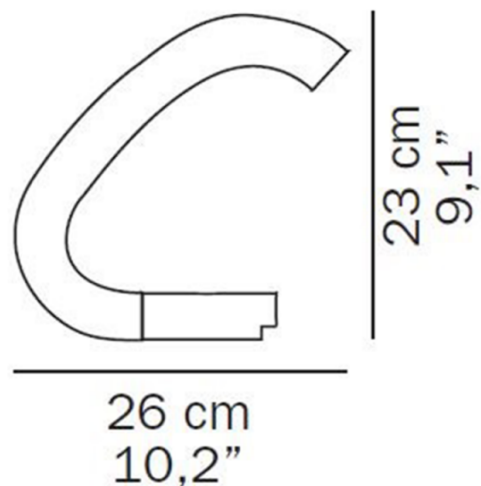
PRODUCT SPECIFICATION

Light Source: 4W, 2700K, 570 Lumens

IP Code: 20

Dimming: In line on/off switch on cable

Dimensions: Height: 24cm
Base width: 24cm



For all sales and technical enquiries, please contact:

+44 (0)114 263 4266

info@davidvillagelighting.co.uk

www.davidvillagelighting.co.uk