

Oluce Acrilica 281 Transparent Table

LA9961



SOURCE: <https://www.davidvillagelighting.co.uk/product/oluce-acrilica-281-transparent-table/12403>



oluce

Joe Colombo's first project for Oluce, the only one worked on together with his brother Gianni.

The 281 model, created in 1962, was immediately nicknamed "Acrilica" due to its surprising conspicuousness and exception innovation of the significant curve made from acrylic. In 1964, "Acrilica" won the gold medal at the XIII Triennial in Milan.

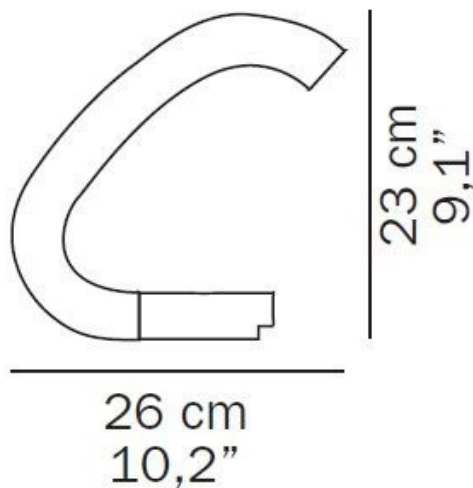
Table lamp giving indirect and diffused light, laquered steel base and Perspex diffuser.

Dimensions:

Height: 23cm

Base length: 26cm

Colour: Transparent



David
Village
Lighting

For all sales and technical enquiries, please contact:

+44 (0)114 263 4266

info@davidvillagelighting.co.uk

www.davidvillagelighting.co.uk