

CLEARANCE  
OFFERS

Flos IC 10 Year Anniversary S3  
Pendant CLEARANCE

LA7452/10/CLEARANCE

SOURCE: <https://www.davidvillagelighting.co.uk/product/Flos-IC-10-Year-Anniversary-S3-Pendant-CLEARANCE/10002777>



PRODUCT DESCRIPTION

Designer: Michael Anastassiades

Flos IC S3 10-Year Anniversary  
Pendant

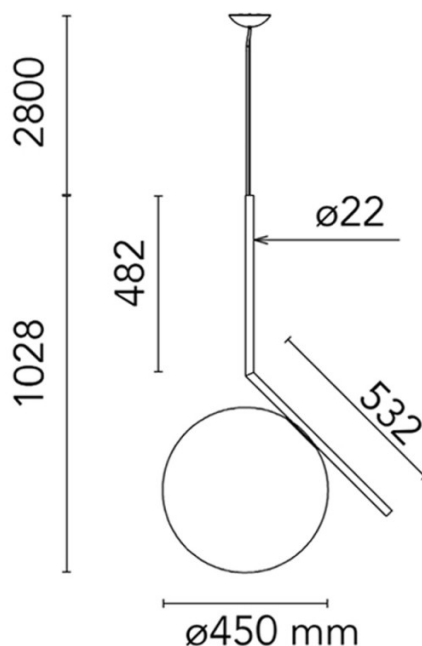
BRAND NEW, OVERSTOCK. BOXED IN A-GRADE ORIGINAL PACKAGING.  
1 x Available.

The Flos IC Pendant was originally designed in 2014 by Michael Anastassiades and has since become an iconic Flos product. 2024 marks the 10-year anniversary of the collection, and to commemorate the occasion, the brand launched a special edition variation of the classic pendant light. The IC 10th Anniversary Pendant explores balance and shapes, utilising the timeless spherical diffuser that appears to balance freely from the metal structure.

The pendant is available in a unique 24-carat gold-plated finish, and each piece is numbered and signed to guarantee authenticity. Anastassiades wanted to utilise a sleek gold finish to represent the pendant as a symbol of eternity, due to its long-lasting stance in the lighting world. The special edition IC Pendant produces a warm, diffused glow that can be utilised in a variety of interiors, swiftly adapting to almost any contemporary interior.

PRODUCT SPECIFICATION

- Light Source:** 1 Max 25W E27 LED (Included)
- IP Code:** 20
- Dimming:** Dimmable via mains phase dimming.
- Dimensions:** Diffuser: Ø45cm  
Full Body Height: 102.8cm  
Cable Length: 280cm





**For all sales and technical enquiries, please contact:**

+44 (0)114 263 4266

[info@davidvillagelighting.co.uk](mailto:info@davidvillagelighting.co.uk)

[www.davidvillagelighting.co.uk](http://www.davidvillagelighting.co.uk)