

CLEARANCE  
OFFERS

LA3183/CL

# Anglepoise Original 1227 Wall Light CLEARANCE

SOURCE: <https://www.davidvillagelighting.co.uk/product/Anglepoise-Original-1227-Wall-Light-CLEARANCE/10002719>

## PRODUCT DESCRIPTION

Designer: George Carwardine

### Anglepoise Original 1227 Wall Light

BRAND NEW, OVERSTOCK. BOXED IN ORIGINAL PACKAGING.

4x Dove Grey Available.

4x Black Available.

Getting its design from George Carwardine's classic [Original 1227 table lamp](#), the 1227 wall light is a truly modernistic adaptation of an iconic design. With chrome fittings and a rotational shade, this light showcases function and style and works perfectly in both home and work settings. The light has a built-in switch in the base for ease, but also has the option to be hard-wired to an external light switch, giving you the power to choose how you wish the light to function.

Available in three classic colours to provide a timeless touch to the room, the Original 1227 wall lamp is completely versatile and can both create a stunning spotlight and a subtle lighting atmosphere. To make a real impact, match with other lights from the [Anglepoise Original 1227 collection](#), to create a room inspired by Carwardine's innovative design.



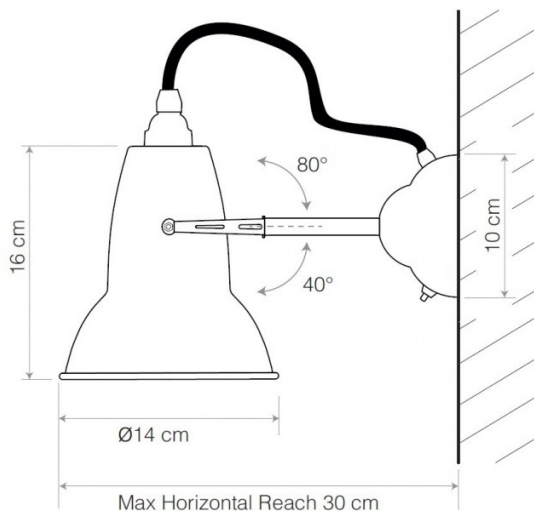
## PRODUCT SPECIFICATION

**Light Source:** 1 x Max 10W E27 (excluded)

**IP Code:** 20

**Dimming:** Integrated on/off switch on the product.

**Dimensions:** Shade: Ø14cm  
Shade Height: 16cm  
Maximum Reach (from wall to shade): 30cm  
Wall Plate: Ø10cm





**For all sales and technical enquiries, please contact:**

+44 (0)114 263 4266

[info@davidvillagelighting.co.uk](mailto:info@davidvillagelighting.co.uk)

[www.davidvillagelighting.co.uk](http://www.davidvillagelighting.co.uk)