

HAY

HAY Compass Pendant

LA11325

SOURCE: <https://www.davidvillagelighting.co.uk/product/HAY-Compass-Pendant/10002514>

PRODUCT DESCRIPTION

Designer: Julien Renault

HAY Compass Pendant Light

The HAY Compass Pendant reinterprets the classic pendant through a refined conical form that feels both modern and timeless. Spun from aluminium, the shade has a crisp geometry that delivers a strong yet understated presence in any setting. Its downward and even light creates a soft, comfortable pool, making it well-suited to dining areas, kitchens, work surfaces, or bar counters. Available in two sizes, the HAY Compass Pendant offers flexibility of scale and can be hung singly as a focal point, clustered at staggered heights for sculptural effect, or arranged in linear compositions for larger spaces.

Designed by Julien Renault, the pendant reflects his essentialist approach, where clarity of form and everyday function are carefully balanced. The durable aluminium construction is complemented by a wide choice of finishes, from brushed aluminium for a raw industrial look to coloured wet-sprayed options including black, oyster white, and Pompeian red. This versatility ensures the HAY Compass Pendant Light can adapt to both subtle and expressive schemes, acting as a discreet neutral piece or a bold design statement. Combining functional reliability with aesthetic restraint, the HAY Compass Pendant Light is a practical and adaptable solution for domestic, workplace, and hospitality interiors.



PRODUCT SPECIFICATION

Light Source: **260:** 1 x Max 8W GX53 LED Dimmable (Excluded)
430: 1 x Max 13W E27 LED Dimmable (Excluded)

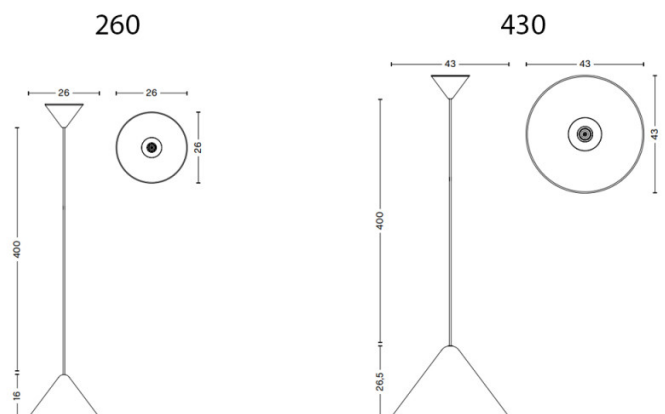
IP Code: 20

Dimming: Dimmable via mains phase dimming.

Dimensions: **260:**
Shade: Ø26cm
Height: 16cm

430:
Width: 43cm
Height: 16cm

Cable Length: 400cm





For all sales and technical enquiries, please contact:

+44 (0)114 263 4266

info@davidvillagelighting.co.uk

www.davidvillagelighting.co.uk