

HAY

HAY Ava Pyramid Table Lamp

LA11324

SOURCE: <https://www.davidvillagelighting.co.uk/product/HAY-Ava-Pyramid-Table-Lamp/10002510>

PRODUCT DESCRIPTION

Designer: Ana Kraš

HAY Ava Pyramid Table Lamp

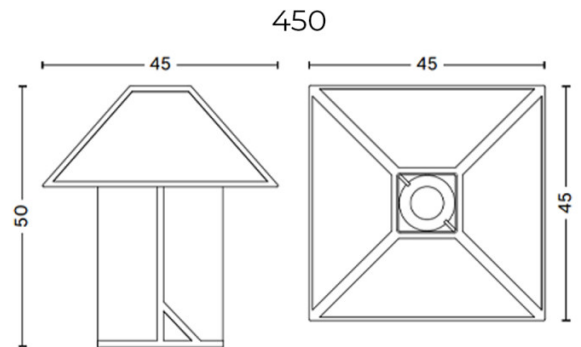
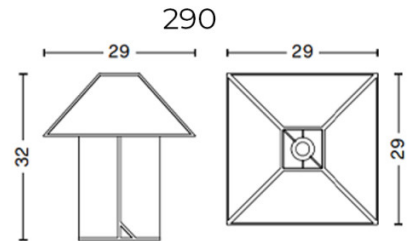
The HAY Ava Pyramid Table Lamp translates the classic lampshade into a striking geometric form. Crafted from ECOPET™, a recycled polyester material made from post-consumer plastics, the shade has a semi-translucent, paper-like surface that glows softly when lit. High-contrast fabric piping defines the pyramid profile, adding a graphic quality to its calm silhouette. The warm diffusion is ideal for reading corners, bedside tables, and shelves, giving rooms a gentle ambience.

Originally created by Ana Kraš from an impromptu mix of wire, paper, and tape, the design has been refined for HAY into a durable, everyday lamp. The HAY Ava Pyramid Table Lamp is available in two sizes and works with a standard E27 bulb for easy maintenance. Its monochrome palette and clean geometry suit both minimalist and eclectic interiors, bringing tactile character and sustainable innovation into daily living.



PRODUCT SPECIFICATION

- Light Source:** 1 x Max 15W E27 LED (Excluded)
- IP Code:** 20
- Dimming:** In-line on/off switch included on cable.
- Dimensions: 290:**
 - Width: 29cm
 - Depth: 29cm
 - Height: 32cm
- 450:**
 - Width: 45cm
 - Depth: 45cm
 - Height: 50cm
- Cable Length: 240cm





For all sales and technical enquiries, please contact:

+44 (0)114 263 4266

info@davidvillagelighting.co.uk

www.davidvillagelighting.co.uk