



Established & Sons Filigrana T2 LED Table Lamp

LA11259

SOURCE: <https://www.davidvillagelighting.co.uk/product/Established-Sons-Filigrana-T2-LED-Table-Lamp/10002410>

PRODUCT DESCRIPTION

Designer: Sebastian Wrong

Established and Sons Filigrana T2 Table Lamp

The Filigrana T2 Table Lamp was created by British designer Sebastian Wrong. Inspired by childhood memories, the shade features a bold, colourful design, reminiscent of a candy cane. Available in three finishes: Red, Blue, and Black, the Filigrana T2 exudes personality with a touch of humour. Sebastian Wrong expertly blends classic technique with contemporary design, utilising a 16th-century glass-blowing method to create the organic-looking shade. As each shade is mouth-blown, variations may occur from piece to piece, for a unique table lamp.

The glass shade diffuses light from within, creating a soft glow of light that surrounds the lamp. A touch dimmer is included on the cable, allowing the user to adjust the light intensity to suit any situation. Display the Filigrana T2 Table Lamp with a pendant from the [Filigrana Collection](#) to create a cohesive theme in your home. The bold forms and vibrant colours will add a splash of colour and personality to any space. In commercial spaces, the Filigrana T2 is well-suited to hospitality settings to add a welcoming ambience to the room.



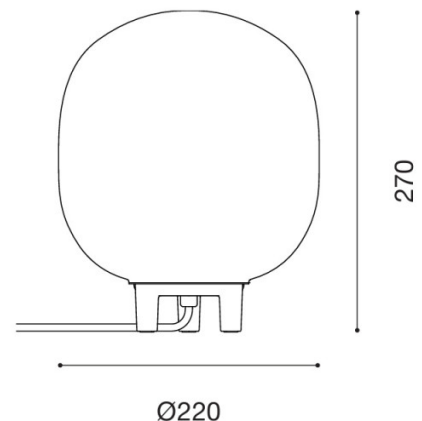
PRODUCT SPECIFICATION

Light Source: 7W, 2700K, 540 Lumens

IP Code: 20

Dimming: Integrated dimmer included on cable.

Dimensions: Ø22cm
Height: 27cm
Cable Length: 150cm





For all sales and technical enquiries, please contact:

+44 (0)114 263 4266

info@davidvillagelighting.co.uk

www.davidvillagelighting.co.uk