

ANGLEPOISE®

Anglepoise Type 80 W4 Wall Light

LA10205/W4

SOURCE: <https://www.davidvillagelighting.co.uk/product/Anglepoise-Type-80-W4-Wall-Light/10002360>

PRODUCT DESCRIPTION

Designer: Sir Kenneth Grange

Anglepoise Type 80 W4 Wall Light

The Anglepoise Type 80 W4 Wall Light is an elegant addition to the [Type 80 Collection](#), designed by Sir Genneth Grange. Boasting a sleek opal glass shade and metal body, this modern wall fitting has a striking, graphic profile and provides soft, focused illumination. Due to the nature of the shade, the inner light source is not only projected down onto the surface below but may also escape through the sides of the shade, resulting in a more even glow and making it perfect as a soft reading or task light. Every detail has been carefully considered and precision-engineered to deliver streamlined style and ease of use.

Consider displaying the Anglepoise Type 80 W4 in multiples for hallways and kitchens, or combine with other items in the Type 80 range for a fully coordinated lighting scheme. The W4 Wall Light is a beautiful addition to your bedside, reading nook and workspace, and the minimalistic colour scheme allows this lighting solution to adapt to a range of interior styles.



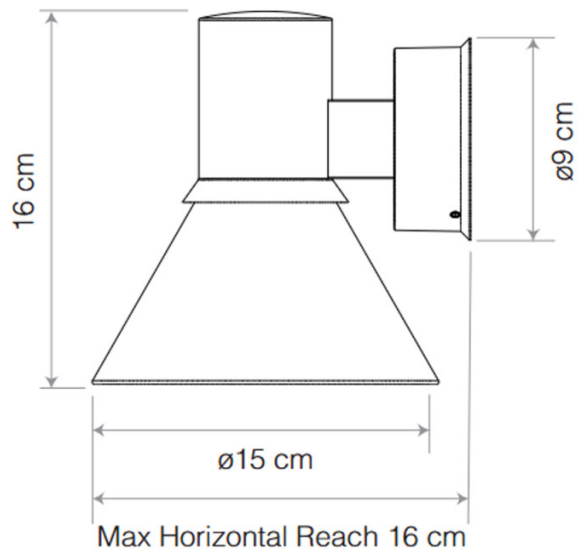
PRODUCT SPECIFICATION

Light Source: 1 x Max 6W E27 LED (Included)

IP Code: 20

Dimming: Non-Dimmable.

Dimensions: Shade: Ø14.5cm
Shade height: 16cm
Maximum reach: 26cm
Base: Ø9cm





For all sales and technical enquiries, please contact:

+44 (0)114 263 4266

info@davidvillagelighting.co.uk

www.davidvillagelighting.co.uk