

Tom Raffield

Tom Raffield Stem Wall Light

LA11207

SOURCE: <https://www.davidvillagelighting.co.uk/product/Tom-Raffield-Stem-Wall-Light/10002251>

PRODUCT DESCRIPTION

Designer: Tom Raffield

Tom Raffield Stem Wall Light

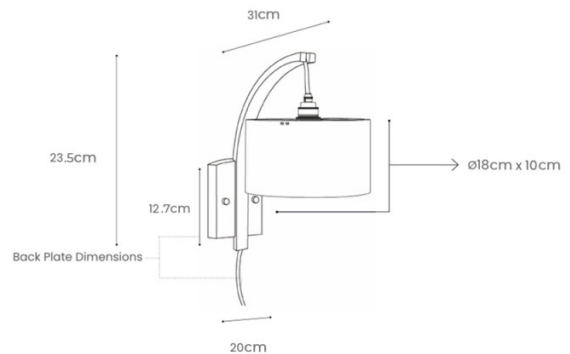
The Stem Wall Light was designed by Tom Raffield and expertly handmade in his Cornish-based studio. To create the smooth curve of the lamp's stem, each piece is steam-bent. This age-old process is low-energy as it only requires water and heat and produces very little waste. In contrast to the oak frame, an exposed brass bulb fitting is suspended from a flex cord. The shiny metallic finish creates a striking juxtaposition against the natural grains of the wood. The cylindrical shade gives the Stem Wall Light a classic profile that suits a range of interiors. It frames the bulb and casts light upward and downward, casting a warm glow onto the surrounding walls.

The Stem Wall Light is available in either a hardwired or a cable & plug version, depending on your needs. For the cable & plug variant, please ensure the light is installed near a socket. The warm tones of the oak suit a range of interiors and decors, both modern and traditional. Install it in a row to fill long hallways with a warm and welcoming glow. Alternatively, place the Stem Wall Light in pairs to frame a doorway and create a sense of balance. A unifying theme can be crafted by displaying the Stem Wall with the other pieces from the [Stem Collection](#).



PRODUCT SPECIFICATION

- Light Source:** 1 x Max 25W E27 LED (Excluded)
- IP Code:** 20
- Dimming:** **Hardwired:** Dimmable using trailing edge dimming.
Cable & Plug: In-line on/off switch on cable.
- Dimensions:** Shade Ø18cm
Height: 23.5cm
Width: 20cm
Depth: 31cm
Cable Length (Cable & Plug Version): 228cm from plug to bulb holder.





For all sales and technical enquiries, please contact:

+44 (0)114 263 4266

info@davidvillagelighting.co.uk

www.davidvillagelighting.co.uk