

Tom Raffield

# Tom Raffield Noctis Hanter Wall Light

LA11188

SOURCE: <https://www.davidvillagelighting.co.uk/product/Tom-Raffield-Noctis-Hanter-Wall-Light/10002224>

## PRODUCT DESCRIPTION

Designer: Tom Raffield

### Tom Raffield Noctis Hanter Wall Light

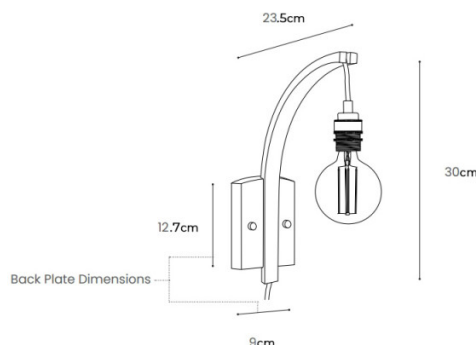
The Noctis Hanter Wall Light is a bold new take on Tom Raffield's [Hanter Wall Light](#). This new edition is created using ebonised wood for a darker and more striking aesthetic. A single bulb hangs from a textile cord, a refreshingly simplistic design choice that keeps the Hanter's profile free from any unnecessary clutter. The industrial look of the brass fitting creates a contrast against the natural grains of the darkened wood. The smooth curve of the frame is achieved by steam-bending the timber. This process is synonymous with Tom Raffield's studio and can be seen throughout his designs.

The uninterrupted glow from the exposed bulb allows the Hanter to cast a bright light into the surrounding space. When lit, the ebonised wood glows an almost golden colour, looking deep and luxurious against the dark timber that is left in the shadows. This captivating display, paired with the bright light from the source, creates a warm ambience that is perfect for welcoming you and visitors into your home. The simple profile of the Hanter Wall Light makes it ideal for installing in a row in a hallway to add a plethora of light without cluttering the space. Available with a cable and plug or as a hardwired version to suit your requirements.



## PRODUCT SPECIFICATION

- Light Source:** 1 x Max 25W E27 LED (Excluded)
- IP Code:** 20
- Dimming:** **Hardwired:** Dimmable using trailing edge dimming.  
**Cable & Plug:** In-line on/ off switch on cable.
- Dimensions:** Height: 30cm  
Depth: 23.5cm  
Width: 9cm
- Cable length (for Cable & Plug version): 228cm from plug to bulb holder.





**For all sales and technical enquiries, please contact:**

+44 (0)114 263 4266

[info@davidvillagelighting.co.uk](mailto:info@davidvillagelighting.co.uk)

[www.davidvillagelighting.co.uk](http://www.davidvillagelighting.co.uk)