

Tom Raffield

Tom Raffield Skipper Table Lamp

LA11181

SOURCE: <https://www.davidvillagelighting.co.uk/product/Tom-Raffield-Skipper-Table-Lamp/10002217>

PRODUCT DESCRIPTION

Designer: Tom Raffield

Tom Raffield Skipper Table Lamp

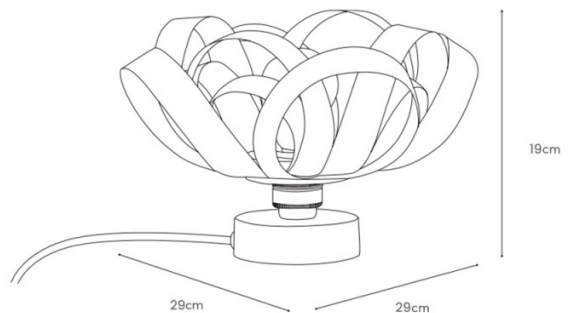
The Skipper Table Light merges Scandinavian design with Tom Raffield's iconic aesthetic. Undulating loops of timber twist around, holding the light source in the center. The partially exposed bulb casts light and shadows in equal measure, creating a captivating pattern on the table it sits on. Each shade is crafted using twelve pieces of made-to-measure timber, expertly moulded to form the Skipper's instantly recognisable profile. Available in a choice of oak or wood, each shade is created without any chemicals, additives, or nasty glues. Once built, the wood is coated in eco-friendly varnish which brings out the natural beauty of the wood as well as sealing the grain.

The Skipper Table Light can be used to complement lounges and living rooms and is perfect for adding captivating lighting and a cosy atmosphere to bedrooms or a reading nook. In larger interiors or commercial spaces, create a harmonious display with other products from the [Skipper Collection](#). Install the [Skipper Pendant](#) in the same room as the Skipper Table light for a cohesive display that highlights the sculptural beauty of the luminaires. The Skipper Table Light is also available as a [Portable Table Light](#), perfect for bringing its warm ambiance with you wherever you go.



PRODUCT SPECIFICATION

- Light Source:** 1 x Max 25W E27 LED (Excluded)
- IP Code:** 20
- Dimming:** In-line on/off switch included on cable.
- Dimensions:** Height: 19cm
Width: 29cm
Depth: 29cm
Cable Length: 228cm from plug to bulb holder.





For all sales and technical enquiries, please contact:

+44 (0)114 263 4266

info@davidvillagelighting.co.uk

www.davidvillagelighting.co.uk