

FLOS

Flos Bellhop Glass S2 Pendant

LA11078/P

SOURCE: <https://www.davidvillagelighting.co.uk/product/Flos-Bellhop-Glass-S2-Pendant/10002099>



PRODUCT DESCRIPTION

Designer: Edward Barber & Jay Osgerby

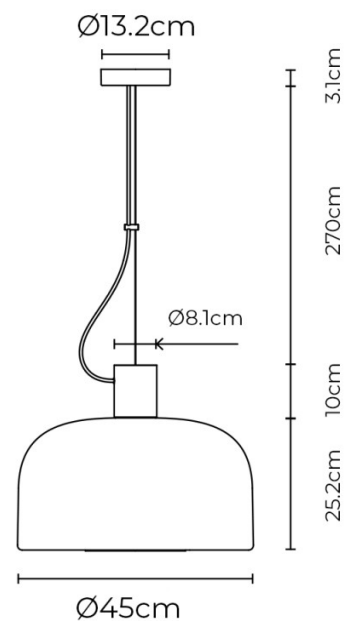
Flos Bellhop Glass S2 Pendant

The Flos Bellhop Glass Pendant is an evolution of the brand's iconic collection, designed by Edward Barber & Jay Osgerby. Bellhop is a large-scale glass lamp, exploring the influential design in a new material and bringing it new aesthetic and technical possibilities. The Bellhop Glass is an excellent direct ambient light, boasting a curved glass shade that projects the light source down onto the surface below while preventing glare. A cone of light is created, which expands into the environment on all sides and lands on the surface below, like a torch.

This contemporary pendant prevents glare in order to generate an inviting downward glow that can be used in a range of settings, especially effective over dining tables, kitchen islands and coffee tables. The three finishes (White, Cioko and Bright Aluminium) of the Bellhop Glass S2 Pendant can adapt to a range of interior styles, with all three finishes complementing each other - allowing you to mix and match finishes for clusters. Defined by the same triplex opaline glass diffuser developed in collaboration with the Flos R&D Department and available in the same colourways, the Flos Bellhop Glass is also available as a modern [table lamp](#).

PRODUCT SPECIFICATION

- Light Source:** 1 x Max 25W E27 LED (excluded)
- IP Code:** 20
- Dimming:** Dimmable via mains phase dimming.
- Dimensions:** Shade: Ø45cm
Shade Height: 25.2cm
Cable Length: 270cm





For all sales and technical enquiries, please contact:

+44 (0)114 263 4266

info@davidvillagelighting.co.uk

www.davidvillagelighting.co.uk