

CLEARANCE
OFFERS

LA5817/CLEAR

&Tradition P376 KF2 Pendant CLEARANCE

SOURCE: <https://www.davidvillagelighting.co.uk/product/Tradition-P376-KF2-Pendant-CLEARANCE/10001923>



PRODUCT DESCRIPTION

Designer: Lagranja Design

&Tradition P376 KF2 Pendant Light

**BRAND NEW, OVERSTOCKED, ORIGINAL PACKAGING.
1 x Matt White Available.**

Originally designed in 1963 by Preben Juul Fabricius and Jørgen Kastholm, the P376 pendant light is now re-launched by &Tradition to bring a classic design to the modern eye. The two designers were in partnership for 8 years in the mid-20th century and their collaboration produced many classics within the Danish modernism movement, that are now internationally lauded. Their designs were defined by elegance, aesthetic beauty and functionality which is certainly seen in the P376 pendant.

The pendant is made from 5 concentric circles which diffuse the light to produce a glare-free glow. The curved, sleek design makes the P376 pendant a contemporary light that is entrenched in vintage design principles. This pendant light can fit into many spaces and design schemes and works particularly well hanging over tables in the kitchen, lounge and dining areas.

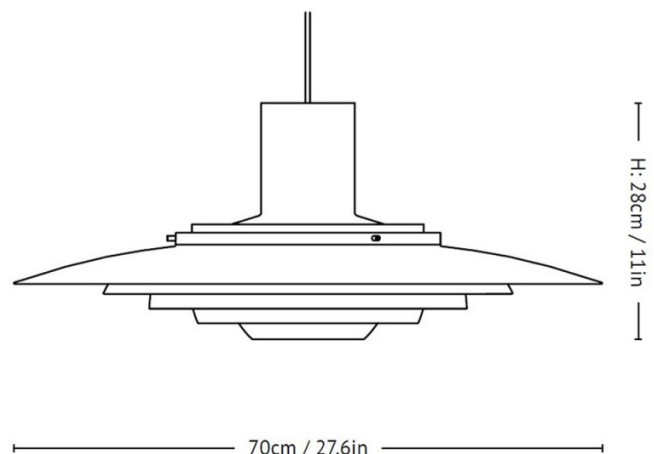
PRODUCT SPECIFICATION

Light Source: 1 x Max 150W E27 (excluded)

IP Code: 20

Dimming: Dimmable via main phase dimming.

Dimensions: Ø70cm
Height: 28cm
Cable Length: 6m





For all sales and technical enquiries, please contact:

+44 (0)114 263 4266

info@davidvillagelighting.co.uk

www.davidvillagelighting.co.uk