

CLEARANCE
OFFERS

Lodes Elara LED Suspension CLEARANCE

LA10755/CL

SOURCE: <https://www.davidvillagelighting.co.uk/product/Lodes-Elara-LED-Suspension-CLEARANCE/10001617>

PRODUCT DESCRIPTION

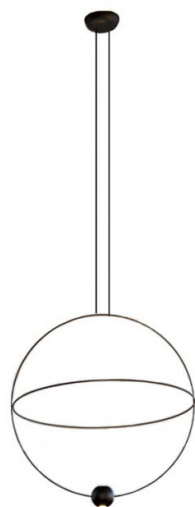
Designer: Nika Zupanc

Lodes Elara LED Suspension

**BRAND NEW, OVERSTOCKED, ORIGINAL PACKAGING.
1 x Black Available.**

The Lodes Elara LED Suspension was designed by Nika Zupanc, inspired by astronomy and named after the eighth largest moon of Jupiter. Zupanc was specifically inspired by astral motion when designing this luminaire. The design resembles the movement of planets in the universe, consisting of two metal rings that interlock with each other - one of which can be manoeuvred to different angles. This central ring can be positioned to reach different heights and angles, allowing users to experiment with casting light and shadows. The LED light source sits within a small sphere that is housed at the bottom of the stationary ring, and emits a glow that can illuminate an entire room. The light can be dimmed, allowing you to personalise the intensity of the light output, in order to create your ideal ambience.

lara suits a range of environments, such as over a dining table in a residential setting, or as part of a larger installation in public spaces like a hotel lounge or restaurant. It works beautifully as a stand alone suspension, or can be grouped together in two's or threes to make more of a statement in larger interiors.



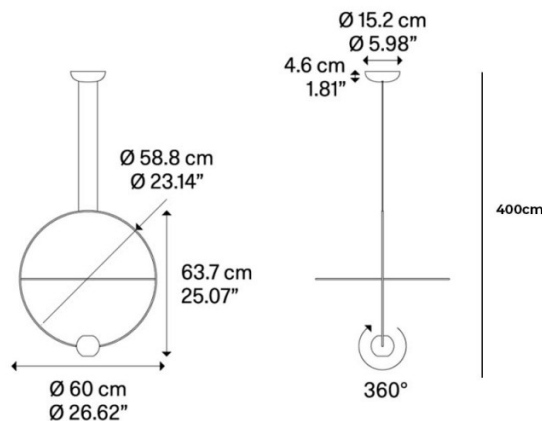
PRODUCT SPECIFICATION

Light Source: 27W, 3000K, 2100 Lumens

IP Code: 20

Dimming: Dimmable via Triac dimming.

Dimensions: Ø60cm
Shade Height: 63.7cm
Full Height: 400cm
Ceiling Canopy: Ø15.2cm





For all sales and technical enquiries, please contact:

+44 (0)114 263 4266

info@davidvillagelighting.co.uk

www.davidvillagelighting.co.uk