

**Prandina Capitan da Mar LED
Pendant**

LA10923

SOURCE: <https://www.davidvillagelighting.co.uk/product/Prandina-Capitan-da-Mar-LED-Pendant/10001448>



PRODUCT DESCRIPTION

Designer: Formidable

**Prandina Capitan da Mar LED
Pendant**

The Prandina Capitan da Mar LED Pendant was designed by the studio Formidable and was inspired by the atmosphere of Venice, specifically the architecture and the silhouette of steeples that are present on some roofs of the lagoon city. The name comes from a special title that was conferred on the highest officers of the Venetian Navy during wartime, these steeples were used to mark the palaces of those families who could boast at least one “Capitan da mar” in their family tree.

An elegant and timeless spherical design, Capitan da Mar is handcrafted from blown glass making each piece unique and creating an artistic centrepiece for your space. Fitted with two LED light sources, this suspension produces a diffused uplight and downlight which results in an even illumination perfect for above kitchen islands and dining tables. The Capitan da Mar Pendant is available in two sizes and four finishes: Black, White, Gold or Blue. This allows the design to adapt to a range of contemporary interiors and can be displayed individually or in clusters.

PRODUCT SPECIFICATION

Light Source: **Small:** 10W LED (5W up/5W down), 3000K, 1440 Lumens

Large: 20W LED (10W up/10W down), 3000K, 3200 Lumens

IP Code: 20

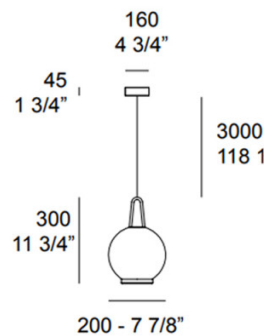
Dimming: Dimmable via Trailing Edge Dimming.

Dimensions: Small:
Shade: Ø20cm
Shade Height: 30cm

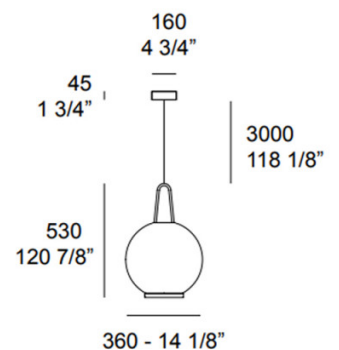
Large:
Shade: Ø36cm
Shade Height: 53cm

Drop Height: 300cm
Ceiling Canopy: Ø16cm

Small:



Large:





For all sales and technical enquiries, please contact:

+44 (0)114 263 4266

info@davidvillagelighting.co.uk

www.davidvillagelighting.co.uk