



LA5522/L

Audo Copenhagen Carrie Leather Outdoor LED Portable Lamp

SOURCE: <https://www.davidvillagelighting.co.uk/product/Audo-Copenhagen-Carrie-Leather-Outdoor-LED-Portable-Lamp/10000179>

PRODUCT DESCRIPTION

Designer: Norm Architects

Audo Copenhagen Carrie Leather LED Portable Lamp

The Carrie Leather Portable Lamp expands the [Audo Copenhagen Carrie Collection](#) with a luxurious new finish. The structure is made from metal finished in a striking range of colour options and features a handle wrapped in cognac leather. The contrast in materials produces an eye-catching effect and creates an intriguing table lamp that is unlike any other.

The Audo Copenhagen Carrie Leather Portable Lamp comes with a glass lampshade that conceals the integrated LED light source for a diffused glow that is comforting and ambient. The table light can also be carried from place to place with an IP rating of 44, lasting for 10 hours when fully charged using the included Micro USB charger cable. A testament to Scandinavian design, the Carrie leather table light has a minimalist and refined look, perfect for many interiors.



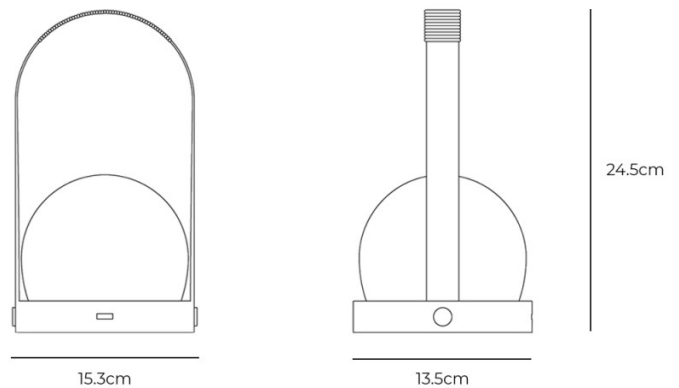
PRODUCT SPECIFICATION

Light Source: 2.5W, 2700K, 155 Lumens

IP Code: 44

Dimming: Integrated dimmer on the product.

Dimensions: Height: 24.5cm
Depth: 13.5cm
Width: 15.3cm
Charger Cable: 70cm





For all sales and technical enquiries, please contact:

+44 (0)114 263 4266

info@davidvillagelighting.co.uk

www.davidvillagelighting.co.uk